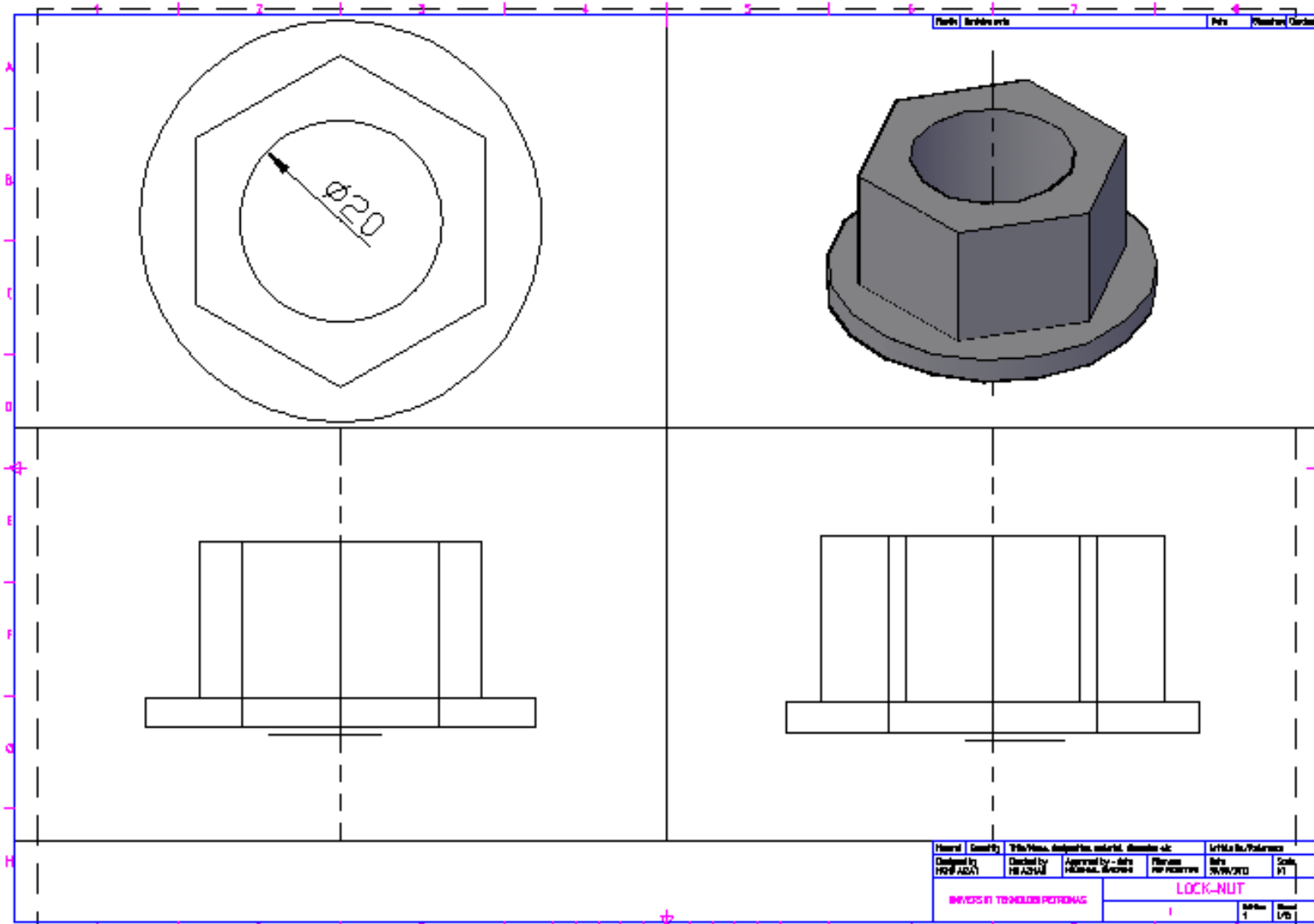
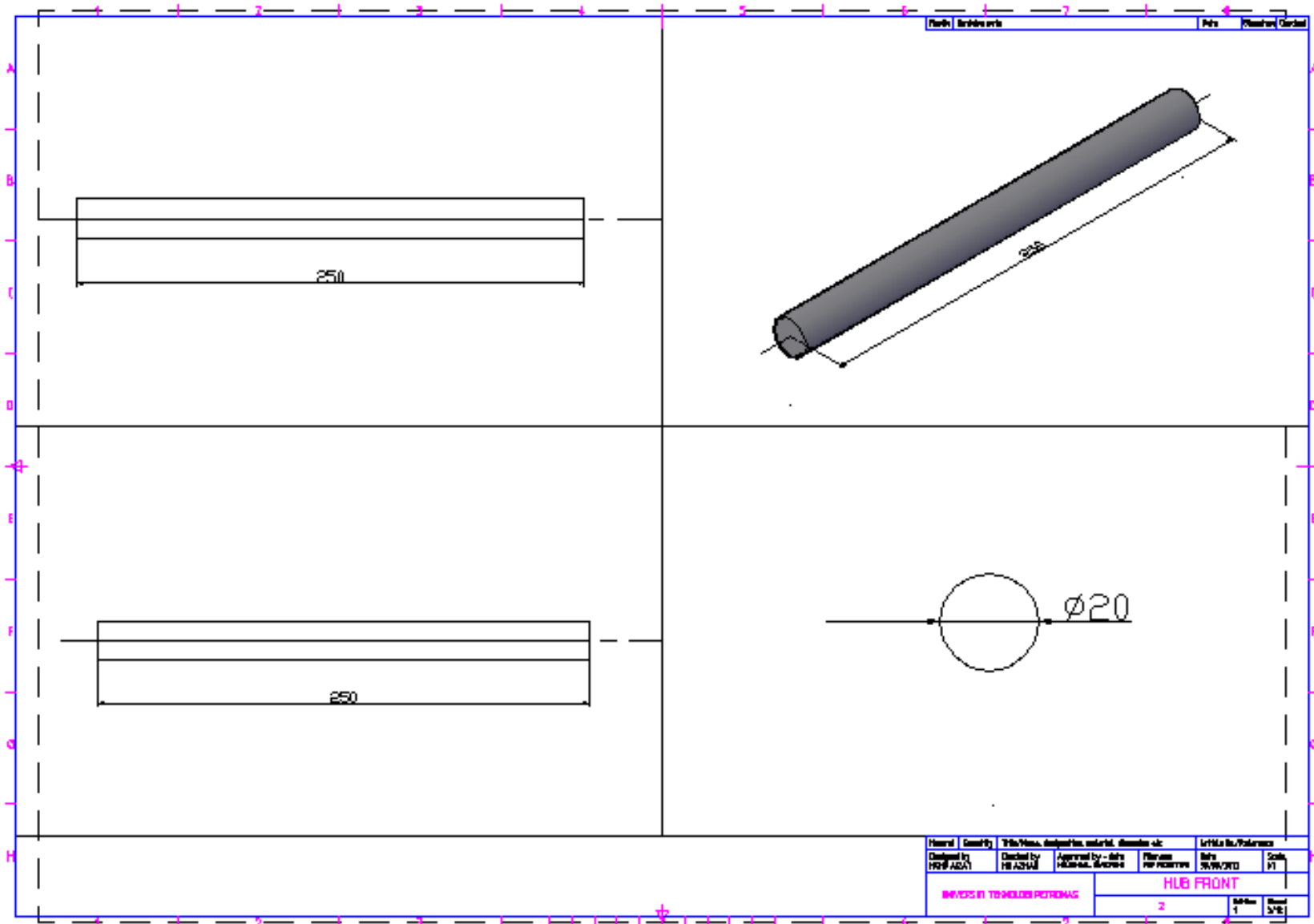
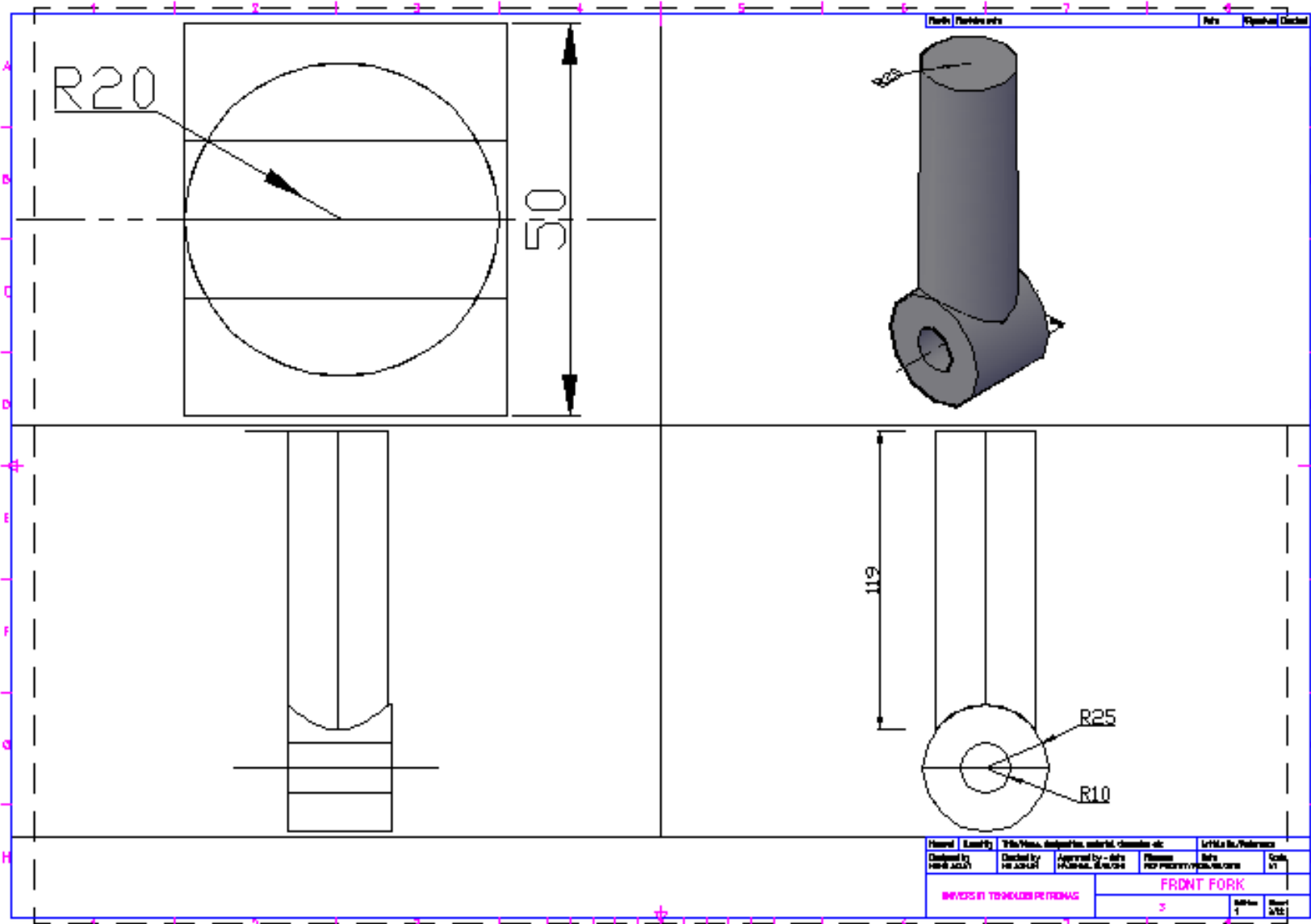


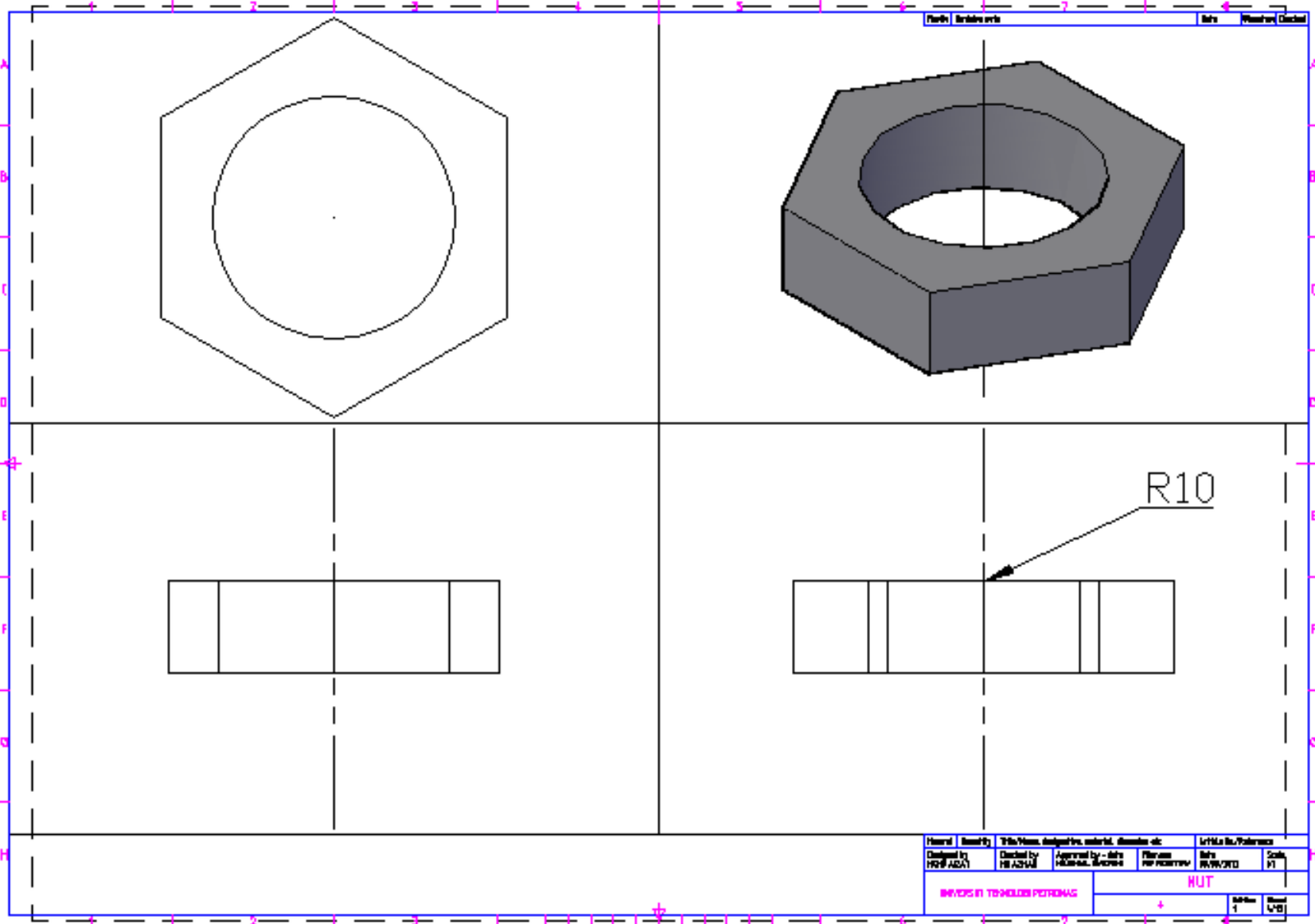
ATTACHMENT



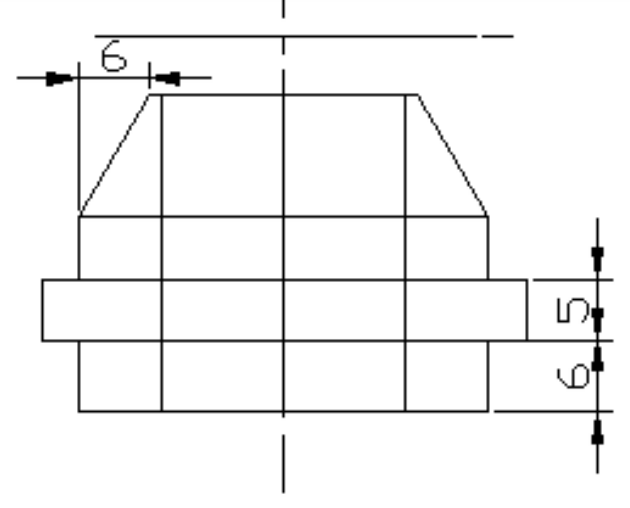
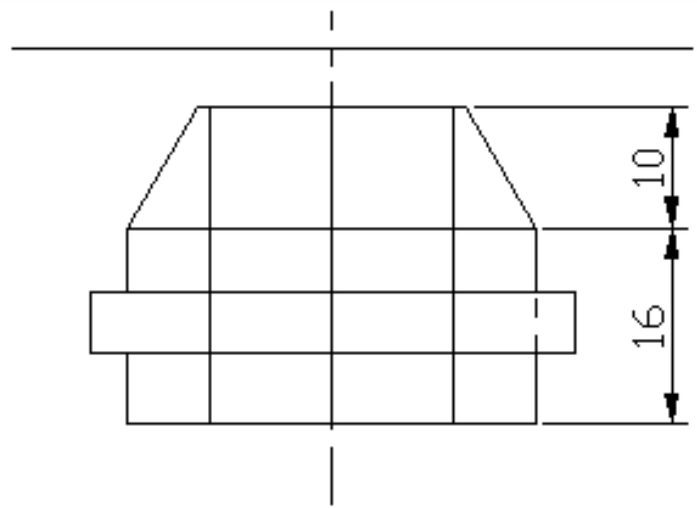
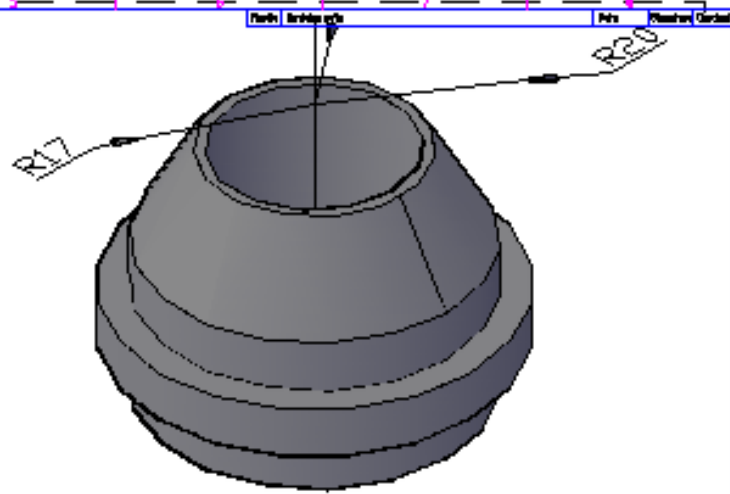
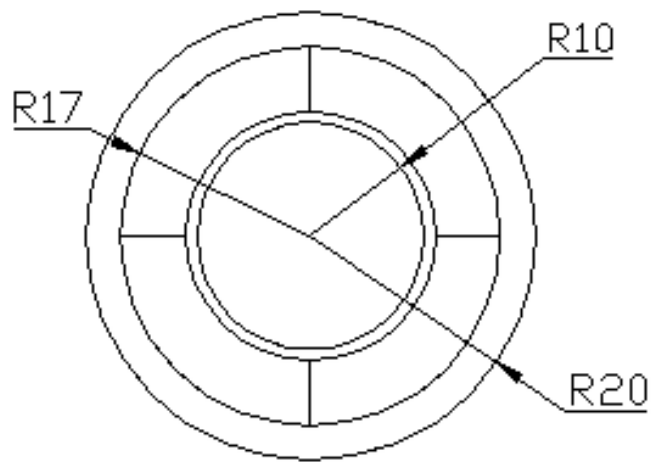


Material	Quantity	Title/Name, description, material, diameter etc.	Article No./Reference
Designed by FED/ADA	Checked by FB/ADH	Approved by - Date M. J. ...	Part 10/10/2010
INVESTIT TOHOLEB PETROMAG		HUB FRONT	
		2	Sheet 1 of 2

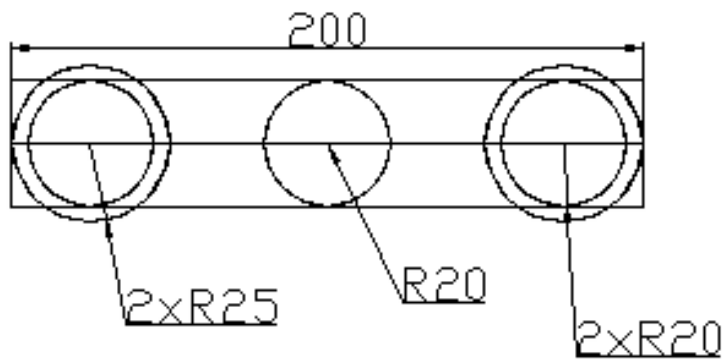




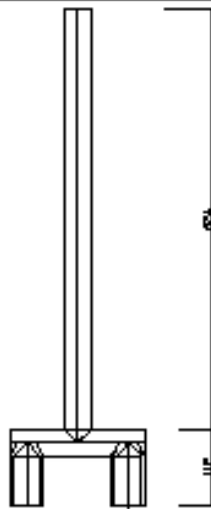
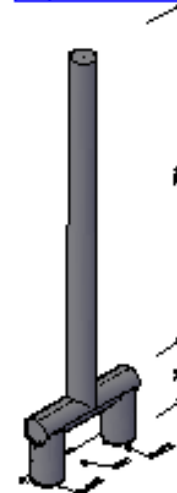
Designed by H29 AGA	Checked by H2 AGHA	Approved by - date MUSTAFA, 20/08/2020	Material M20X2.0	Scale 1:1						
<table border="1"> <tr> <td colspan="2">MUT</td> </tr> <tr> <td>Sheet</td> <td>Count</td> </tr> <tr> <td>1</td> <td>1/1</td> </tr> </table>			MUT		Sheet	Count	1	1/1		
MUT										
Sheet	Count									
1	1/1									
<table border="1"> <tr> <td colspan="2">MUTER PETRONAG</td> </tr> </table>					MUTER PETRONAG					
MUTER PETRONAG										



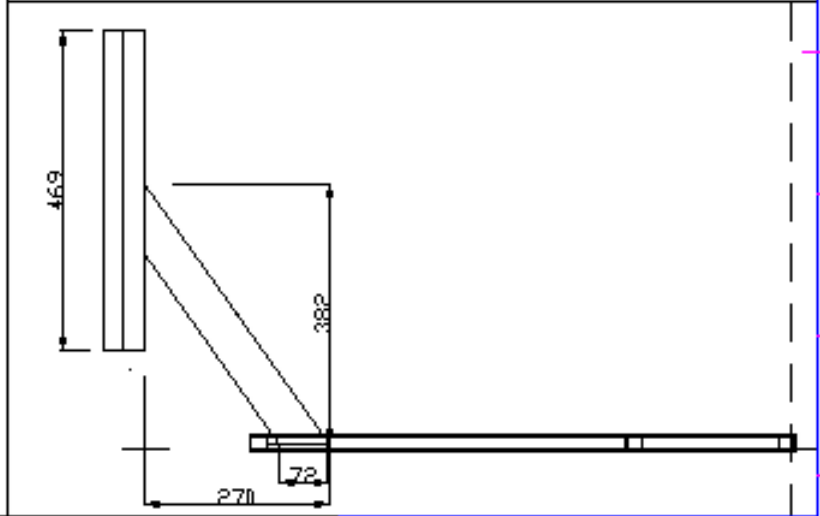
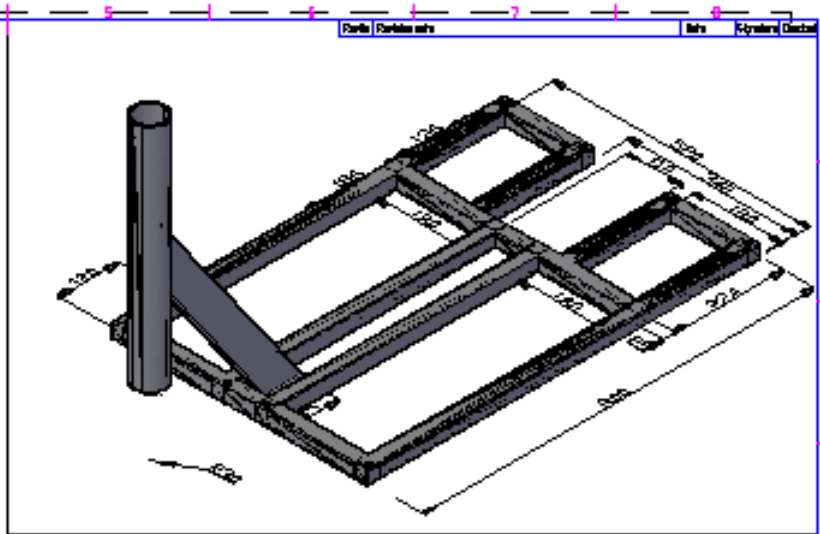
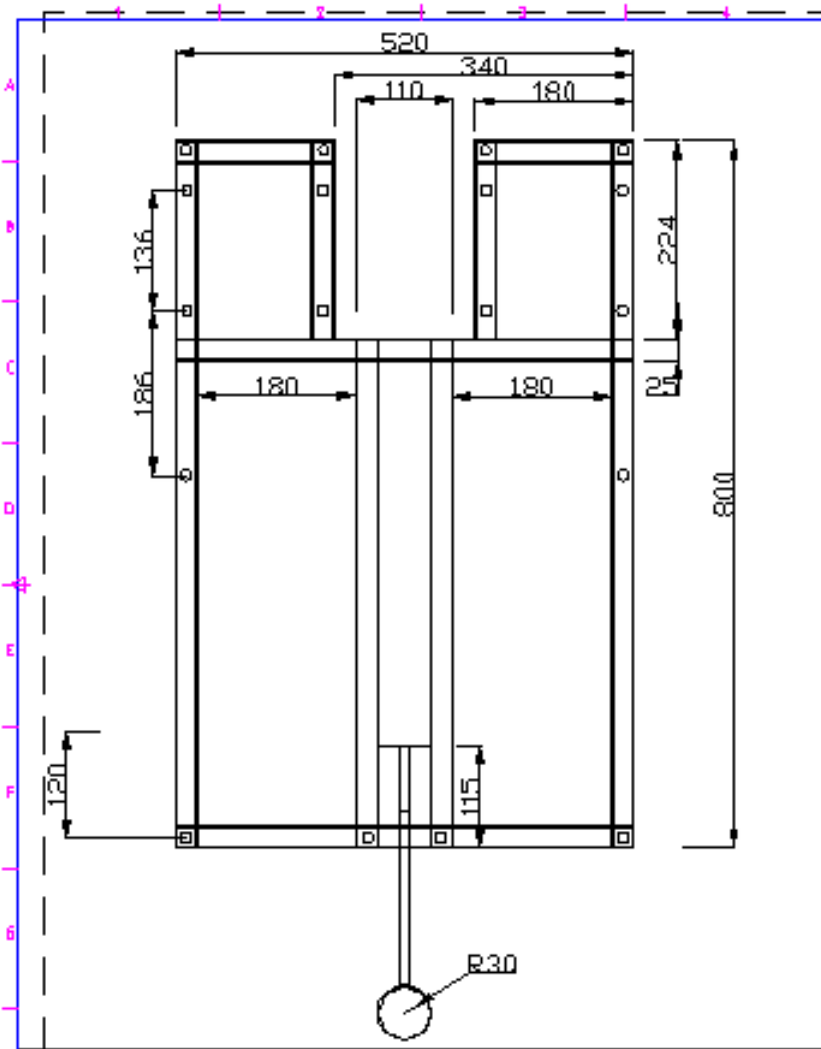
Material	Quantity	Tr/No./Veno. designation, material, dimension etc.	Part No./Reference
Designed by H20/ADN	Checked by H20/AM	Approved by - date H20/AM, H20/AM	Material H20/AM
REVISED BY TOPOLOG PICTURING		NUT [FOR HUB BEARINGS]	
		Sheet 1	Total 1



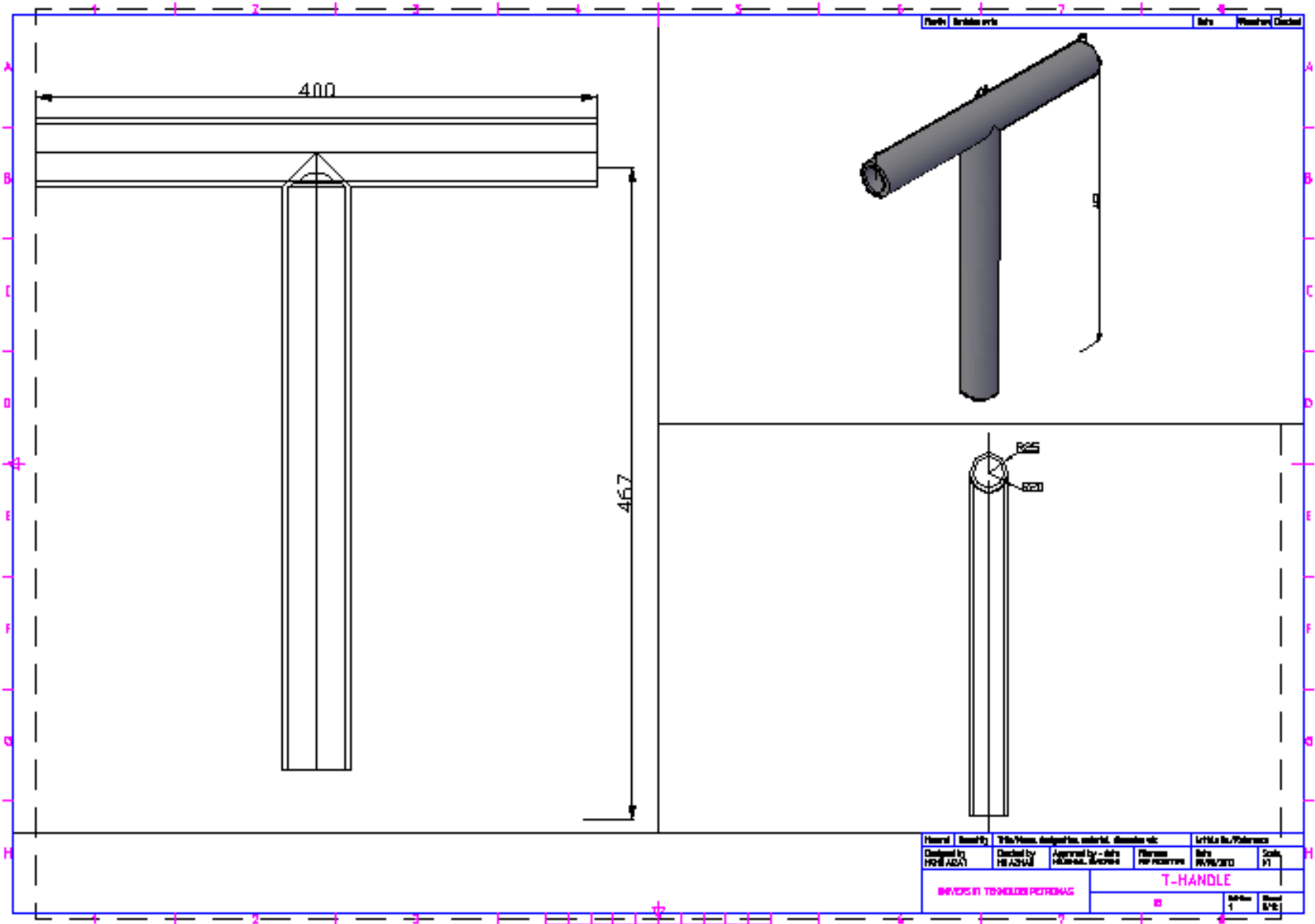
Mark: **Brake** File: **Handle** Color:



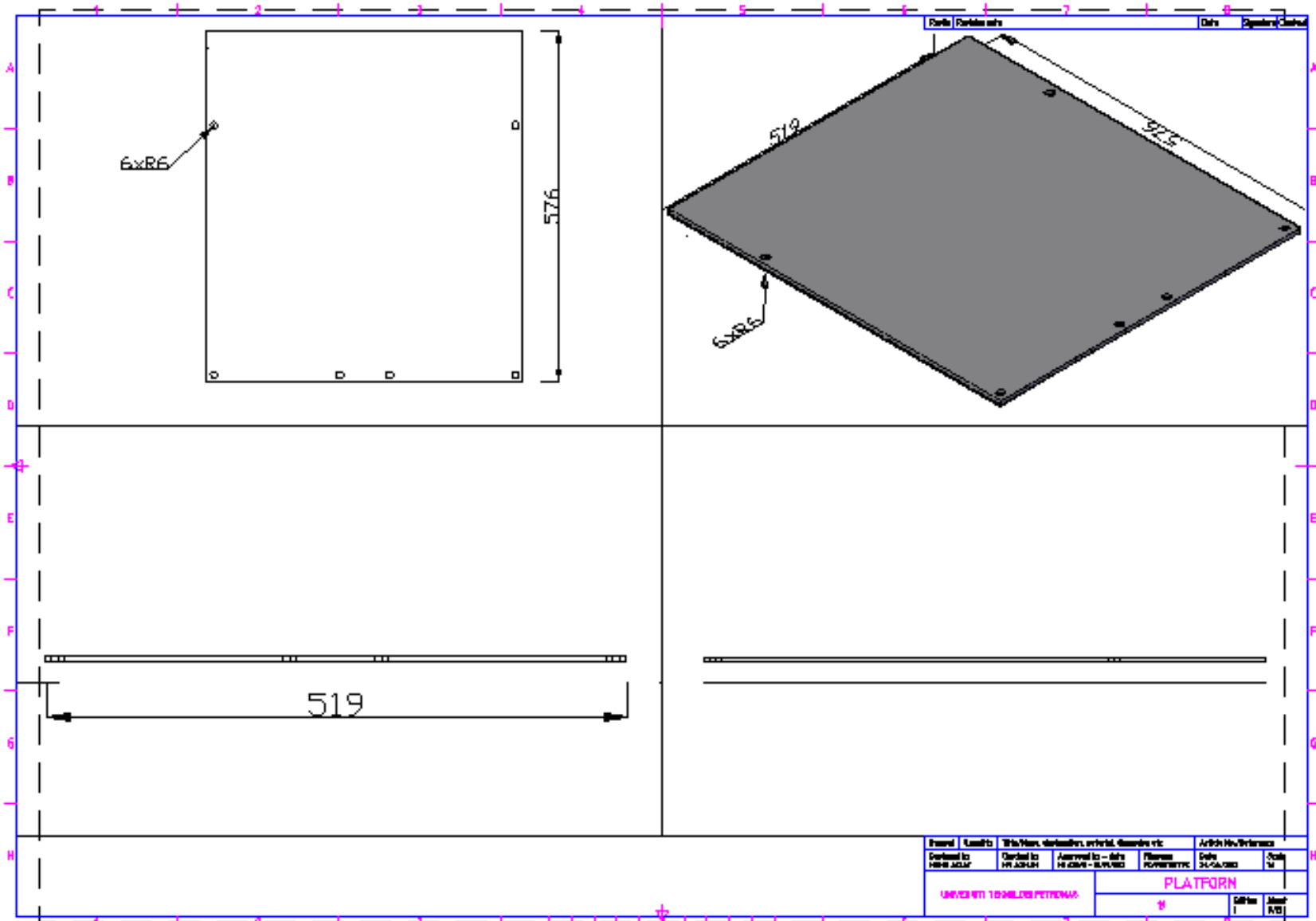
Project	Quantity	Title/Desc. description, material, diameter etc.	Article No./Reference
Designed by HOF AGA	Checked by HE AGA	Approved by - date M. AGA, 06/06/20	Material PCP P0001110000000
HANDLE (FDRK)			Scale 1:1
INVEST IN TECHNOLOGY PROTRONAG			Sheet 1 of 1



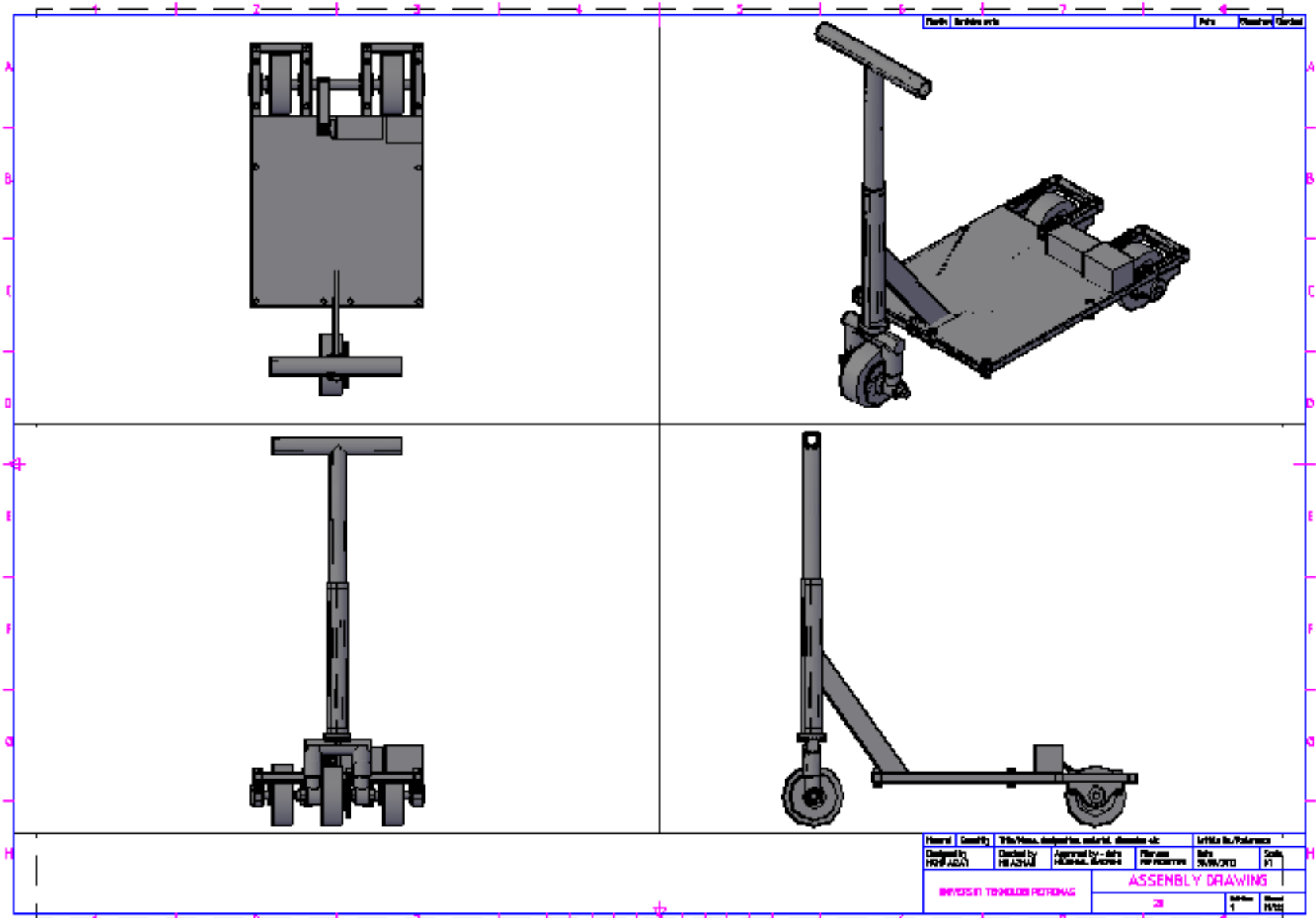
Desenho	Quantidade	Unidade	Material	Descrição	Artigo Referência
Desenhado por H&B 20/07	Desenhado por H&B 20/07	Aprovado por - data M. Cabral - 20/07/2007	Plástico POM/AMERIC	Data 20/07/2007	Colo. 01
UNIVERSIDADE FEDERAL DO RIO DE JANEIRO					FRAME/BODY
					Quantidade 1
					Material POM



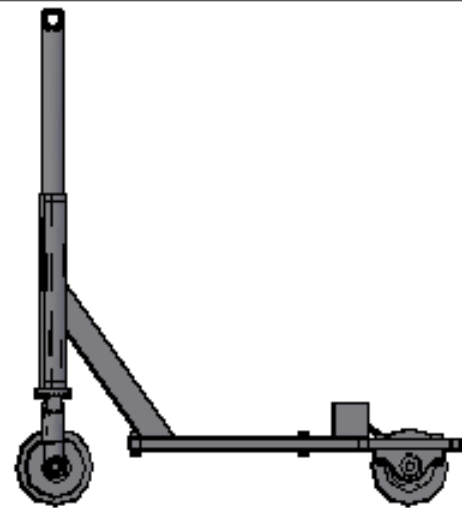
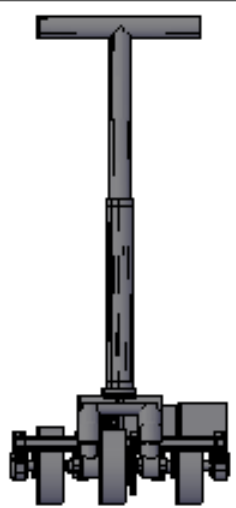
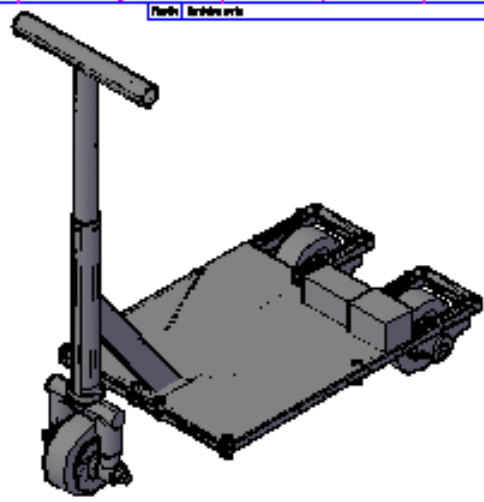
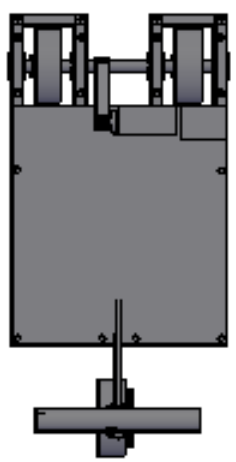
Material	Quantity	Title/Notes, design/fin. material, standards etc.			Article No./Reference	
Designed by HRS/ADA1	Designed by HRS/ADA1	Approved by - date HRS/ADA1, HRS/ADA1	Material ref. HRS/ADA1	Ref. HRS/ADA1	Scale 1:1	Sheet 8/8
HRS/ADA1 TECHNOLOGIENORMAS				T-HANDLE		
				03		



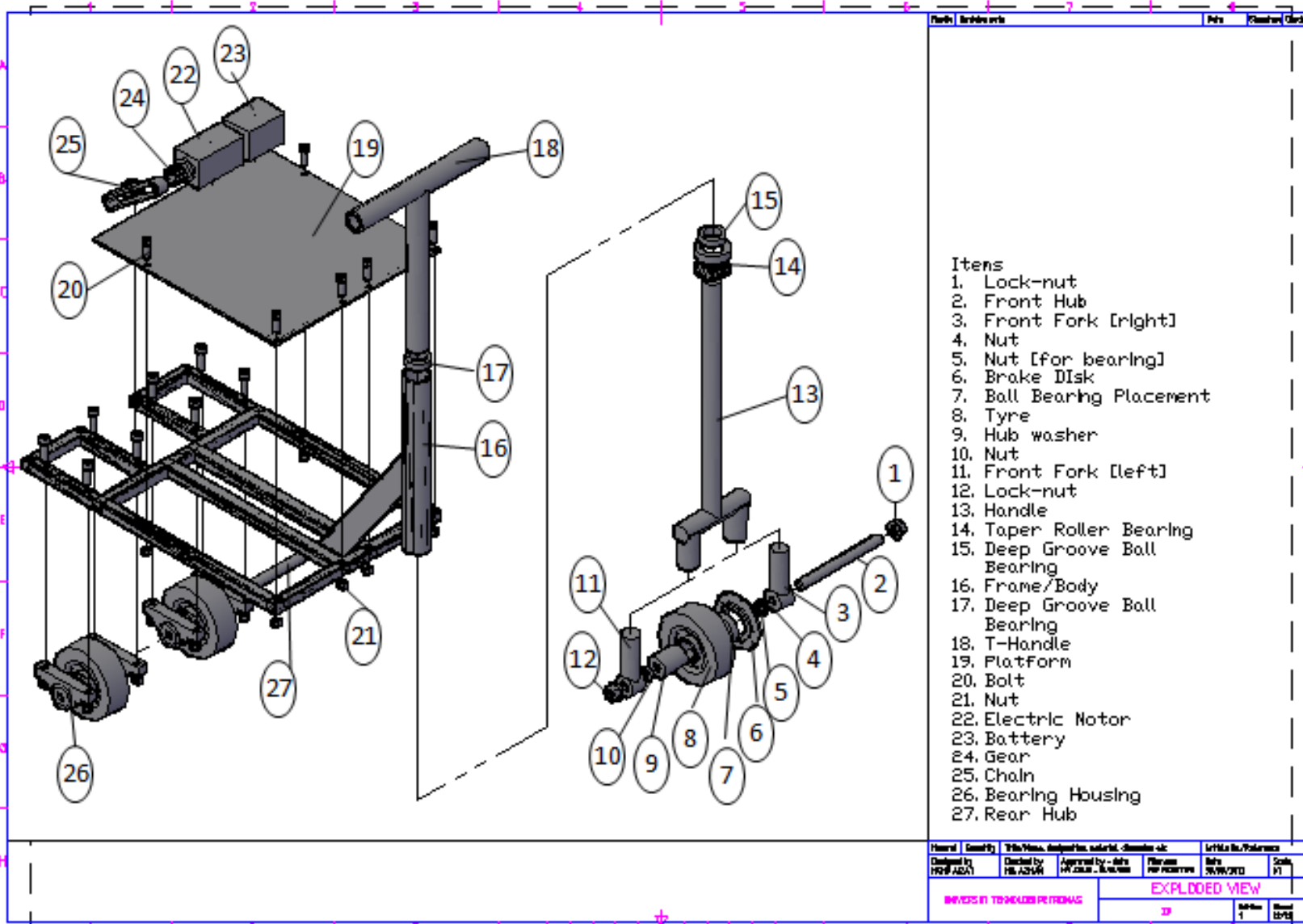
Drawn	Checked	Title, No., description, serial, quantity		Article No./Reference	
Desain to HARIS ADAM	Checked to HARIS ADAM	Approved to - date HARIS ADAM - 01/01/2023	Revision REV.001	Date 24/04/2023	Scale 1:1
UNIVERSITY TECHNOLOGICAL PETRONAS				PLATFORM	
				Sheet 1	Total 1/01



North | Strides 1/16 | File | Plot | Standard | Details



<table border="1"> <tr> <td>Designed by H2P-ADAT</td> <td>Checked by HE-ADAT</td> <td>Approved by - date H2P-ADAT, 20/06/2010</td> <td> <table border="1"> <tr> <td>File name HE-ADAT</td> <td>Date 20/06/2010</td> <td>Scale 1:1</td> </tr> </table> </td> </tr> </table>	Designed by H2P-ADAT	Checked by HE-ADAT	Approved by - date H2P-ADAT, 20/06/2010	<table border="1"> <tr> <td>File name HE-ADAT</td> <td>Date 20/06/2010</td> <td>Scale 1:1</td> </tr> </table>	File name HE-ADAT	Date 20/06/2010	Scale 1:1	<table border="1"> <tr> <td colspan="2">Title/Desc. / description, material, quantity etc.</td> <td colspan="2">Litho No./Reference</td> </tr> <tr> <td colspan="2">ASSEMBLY DRAWING</td> <td colspan="2">28</td> </tr> <tr> <td colspan="2">REVISED BY TO INCLUDE REVISIONS</td> <td colspan="2">Sheet 14/15</td> </tr> </table>	Title/Desc. / description, material, quantity etc.		Litho No./Reference		ASSEMBLY DRAWING		28		REVISED BY TO INCLUDE REVISIONS		Sheet 14/15	
Designed by H2P-ADAT	Checked by HE-ADAT	Approved by - date H2P-ADAT, 20/06/2010	<table border="1"> <tr> <td>File name HE-ADAT</td> <td>Date 20/06/2010</td> <td>Scale 1:1</td> </tr> </table>	File name HE-ADAT	Date 20/06/2010	Scale 1:1														
File name HE-ADAT	Date 20/06/2010	Scale 1:1																		
Title/Desc. / description, material, quantity etc.		Litho No./Reference																		
ASSEMBLY DRAWING		28																		
REVISED BY TO INCLUDE REVISIONS		Sheet 14/15																		



- Items
1. Lock-nut
 2. Front Hub
 3. Front Fork (right)
 4. Nut
 5. Nut (for bearing)
 6. Brake Disk
 7. Ball Bearing Placement
 8. Tyne
 9. Hub washer
 10. Nut
 11. Front Fork (left)
 12. Lock-nut
 13. Handle
 14. Taper Roller Bearing
 15. Deep Groove Ball Bearing
 16. Frame/Body
 17. Deep Groove Ball Bearing
 18. T-Handle
 19. Platform
 20. Bolt
 21. Nut
 22. Electric Motor
 23. Battery
 24. Gear
 25. Chain
 26. Bearing Housing
 27. Rear Hub

Name	Quantity	File Name	Author	Created	Modified	Unit	Material
Designed by	Checked by	Approved by	Drawn by	Date	Scale		
10/10/2010	10/10/2010	10/10/2010	10/10/2010	10/10/2010	1:1		
EXPLODED VIEW						Sheet	1 of 1
REVISED BY: TOHOLUB PERMAG						Sheet	1 of 1