



UNIVERSITI
TEKNOLOGI
PETRONAS

Optimization of Maximum Power Point Tracking (MPPT) of Photovoltaic System using Artificial Intelligence (AI) Algorithms

by

Raal Mandour

Dissertation submitted in partial fulfilment of
the requirements for the
Bachelor of Engineering (Hons)
(Electrical and Electronics Engineering)

January 2013

Universiti Teknologi PETRONAS
Bandar Seri Iskandar
31750 Tronoh
Perak Darul Ridzuan

CERTIFICATION OF APPROVAL

Optimization of Maximum Power Point Tracking (MPPT) of Photovoltaic System using Artificial Intelligence (AI) Algorithms

by

Raal Mandour

A project dissertation submitted to the
Electrical Engineering Programme
Universiti Teknologi PETRONAS
in partial fulfilment of the requirement for the
BACHELOR OF ENGINEERING (HONS)
(ELECTRICAL AND ELECTRONIC ENGINEERING)

Approved by,

AP. Dr. Irraivan Elamvazuthi

UNIVERSITI TEKNOLOGI PETRONAS
TRONOH, PERAK
January 2013

CERTIFICATION OF ORIGINALITY

This is to certify that I am responsible for the work submitted in this project, that the original work is my own except as specified in the references and acknowledgements, and that the original work contained herein have not been undertaken or done by unspecified sources or persons.

RAAL MANDOUR

Abstract:

Although solar energy is one of the most available renewable energy resources, its usage is strongly influenced by environmental and technological aspects. Photovoltaic (PV) offers an environmentally friendly source of electricity, which is however still relatively costly today. In order to minimize the output power cost, the maximum power point tracking (MPPT) of the PV output for all sunshine conditions is a key factor to maximize the power output of a PV system for assigned conditions of radiation and temperature. The core of the MPPT is represented by the implemented algorithm devoted to find and maintain the operation near to the Maximum Power Point (MPP). In this paper, starting from the set of equations modeling a PV module, an innovative procedure to optimize the performance and efficiency of the MPPT algorithms is presented, simulated and verified. Artificial intelligence algorithms, specifically PSO and PSO combined with Incremental conductance algorithm, are used to achieve the stated goals. Studies on the conventional and intelligent algorithms are conducted and a comparison between their efficiencies and drawbacks is presented. Flowcharts are developed and simulation tools are identified. MATLAB simulations are shown and resulting graph and efficiencies under several irradiance values are specified along with comparison with the previously achieved performance of MPPT algorithms and different set of Data.

Acknowledgment:

I would like to express my gratitude to all those who helped and guided me and without who this dissertation would not have been possible.

First and foremost, my utmost appreciation to Assoc. Prof. Irraivan Elamvazuthi, my supervisor, for the time, effort, guidance and the honest encouragement I will never forget. Dr.Elamvazuthi has been my inspiration as I hurdle all the obstacles in the completion this research work.

Special thanks to the final year project committee for assistance, help and cooperation throughout the entire project duration.

Last but not the least; I am indebted to my family for all the support they provide.

Contents

CERTIFICATION OF APPROVAL	ii
CERTIFICATION OF ORIGINALITY	iii
Abstract:	iv
List of figures:	vi
List of tables:.....	viii
CHAPTER 1: Introduction.....	1
1.1. Project Background	1
1.2. Problem Statement and identification	2
1.3. Objective.....	3
1.4. Scope of Study.....	3
1.5. The Relevancy of the Project.....	3
1.6. Feasibility of the Project within the Scope and Time frame	3
CHAPTER 2: Literature Review.....	5
2.1 PV Array Model	5
2.2. Conventional MPPT algorithms:	7
2.2.1. Perturb and observe Algorithm (P&O)	7
2.2.2. The Incremental Conductance (INC) Algorithm	9
2.3. Artificial intelligence (AI) Algorithms:	11
2.3.1. Overview on Artificial intelligence:	11
2.3.2. Particle Swarm Optimization (PSO)	12
2.4. Related Work:.....	13
2.5. Summary of Chapter 2:	14
CHAPTER 3: Methodology	15
3.1. Research Methodology	15

3.2. Project Activities	15
3.3. Outline and structure of the developed algorithms:	15
3.3.1. Suggested Method 1 PSO Flow Chart:	16
3.3.2. Structure of suggested Method 2 PSO-INC algorithm:	17
3.4. Tools and materials:	18
3.4.1. MATLAB	18
3.4.2. Irradiation databases	18
3.5. Algorithms Development:	21
3.5.1. PV module simulation:	21
3.5.2. Suggested Method 1 PSO Algorithm Development:	24
3.5.3. Suggested Method 2 PSO-INC Algorithm Development:	24
3.6. Gantt chart	26
CHAPTER 4: Results, Discussion and Validation	27
4.1. PSO results:	27
4.1.1. Case study 1- Kuala Lumpur Results:	27
4.1.2. Case study 2-Saudi Arabia Results:	30
4.2. PSO – INC results:	32
4.2.1. Case study 1-Kuala Lumpur Results:	33
4.2.2. Case study 1-Saudi Arabia Results:	34
4.3. Validation:	36
4.4. Case Study: Pulau Perhentian renewable energy farm	37
CHAPTER 5: Conclusion and Recommendations	39
5.1. Conclusion	39
5.2. Recommendations for Future Work	39
Works Cited	40
Appendices:	44
Appendix A:	44

Appendix B:	45
Appendix C:	52

List of figures:

Figure 1: PV cell equivalent circuit	5
Figure 2: V-I curves of a PV module for different sun irradiations.....	6
Figure 3: Typical V-I curve of a PV module	6
Figure 4: P&O flowchart.....	7
Figure 5: Modified P&O algorithm flow chart	8
Figure 6: dp/dv at MPP	9
Figure 7: Variable step size INC flowchart [9].....	10
Figure 8: General Algorithm flow chart.....	16
Figure 9: Suggested Method 1(PSO) flowchart.....	16
Figure 10: Suggested Method 2 (PSO-INC) structure	17
Figure 11: Solar cell submask in Simulink	21
Figure 12: Current input PV module.....	22
Figure 13: PV module	22
Figure 14: PV module Parameters initialization	23
Figure 15: PV module Simulation In Simulink	23
Figure 16: PSO MATLAB function block.....	24
Figure 17: Buck converter topology used in DC-DC converter	24
Figure 18: DC-DC Simulink Model.....	25
Figure 19: PWM controller Simulink Model.....	26
Figure 20: PSO Simulink Model.....	27
Figure 21: Power vs. Voltage at different irradiance	28
Figure 22: I-V Characteristic at different irradiance.....	28
Figure 23: Fitness function (Ppso) vs. Ppv	29
Figure 24: Power vs. Voltage at different irradiance	30
Figure 25: I-V Characteristic at different irradiance.....	30
Figure 26: Fitness function (Ppso) vs. Ppv	31
Figure 27: PSO-INC Simulink model.....	32
Figure 28: Power vs. Voltage at different irradiance	33
Figure 29: I-V Characteristic at different irradiance.....	33
Figure 30: Fitness function vs. Ppv.....	34
Figure 31: Power vs. Voltage at different irradiance	34

Figure 32: I-V Characteristic at different irradiance.....	35
Figure 33: Fitness function vs. Ppv.....	35
Figure 34: radiation Vs. Time in Pulau Perhentian.....	37
Figure 35: PV power vs time	38

List of tables:

Table 1: MPPT algorithms efficiency 13

Table 2: Reported MPPT Algorithms drawbacks 14

Table 3: Alpine Texas database sample data[16]..... 18

Table 4: Kuala Lumpur meterological data[17]..... 19

Table 5: Long-term daily mean values of sunshine duration and global solar radiation in KSA..... 20

Table 6: Efficiency of Proposed Method 1 PSO algorithm 29

Table 7: Efficiency of Proposed Method 1 PSO algorithm 31

Table 8 : Comaprison between Calculated and obtained results..... 36

Table 9: Efficiency of suggested Methods for MPPT compared to previously developed methods..... 36

CHAPTER 1: Introduction

1.1. Project Background

Today's world is developing at an extremely rapid pace requiring more energy every day. This growing energy demand, tied with the decrease of conventional energy sources have urged researchers to turn to the renewable ones.

One of the alternatives is solar energy. However, solar panel efficiency of energy conversion is not high [1]. This limitation has encouraged research works aiming to extract the maximum power and optimize the power output from these panels to achieve optimum efficiency in operation.

When mentioning solar energy harvesting, there are two distinctive and only lightly related concepts called tracking. It is important to differentiate between the two. The two concepts are:

- **Maximum Power Point Tracking (MPPT):** an electronic function that regulates voltage / current parameters to allows the modules to produce all the power they are capable of out of a solar panel. Additional power harvested from the modules is then made available as increased battery charge current
- **Mechanical Tracking:** a method to physically move the solar panels to keep them facing the sun at an angle that changes with time depending on the sun position.

Maximum Power Point Tracking, abbreviated as MPPT, is an inverter based electronic architecture that controls the Photovoltaic (PV) modules in a way that ensures the solar panels will produce all the power they are capable of [2].

As discussed briefly above, electronic MPPT is a completely different approach from mechanical tracking systems that physically move the modules to make them point to the sun, but they could be used together.

Electronics and programming are used in MPPT to change the electrical operating point (usually the voltage) of the modules so that the modules are able to deliver maximum available power. Monitoring the Current (I) vs. Voltage (V)

curve also known as the IV curve that is knee shaped, by slightly moving the voltage level a significantly higher current can be achieved.

Since Maximum Power Point Tracking (MPPT) is developed to get the maximum possible power from one or more solar panels, several algorithms and techniques have been proposed for MPPT. Most commonly used techniques of MPPT are Perturb and Observation (P&O), Constant Voltage and Current, Hill-climbing method, Incremental Conductance, Parasitic Capacitance along with some DSP based methods[2]. Each of the above techniques is accompanied with problems. For instance, P&O method is simple but has a large steady state error accompanied with oscillation at the maximum power point [3]. In Incremental conductance method, the power of solar panel is a non-linear function of duty cycle. Hill climbing algorithm suffers from getting stuck at local maxima or minima. Also, the modified algorithms based of the earlier mentioned ones were able to improve some of the drawbacks but not the efficiency such as the modified P&O technique that improved the convergence problem at rapidly changing weather but couldn't increase the efficiency[1][4][5].

Similarly, Artificial intelligence algorithms are used to improve MPPT and it began to increase the efficiency of the solar panels while presenting other trade-offs and disadvantages. Algorithms such as Stimulated Annealing (SA) technique will eliminate stability problems and getting stuck in maxima or minima. On the other hand, there is a trade-off between quick settling time and steady state error. Other problems and drawbacks are present to other AI algorithms such as Fuzzy logic and PSO [1]. Nevertheless, AI algorithms can be improved further.

1.2.Problem Statement and identification

As seen from the background, efforts are deployed in order to improve the efficiency of the solar panels by developing algorithms and techniques for MPPT and improving the existing ones. However, drawbacks arise and a need to increased efficiency is still present. There is a necessity to overcome compromises between efficiency and steady state error and rapid response in

order to maximize the output power and thus reliability on solar energy as a renewable and efficient source of energy replacing conventional energy sources.

1.3.Objective

The objectives of this project are as follows:

- i. To enhance MPPT efficiency using AI algorithm
- ii. To explore the use of AI techniques in MPPT such as PSO
- iii. To validate the results

1.4.Scope of Study

- i. To Study MPPT algorithms and AI algorithms
- ii. To simulate Algorithms using MATLAB
- iii. To combine AI and MPPT algorithm
- iv. To simulate improved algorithms
- v. To evaluate the efficiency of the developed algorithms
- vi. To validate and verify the developed algorithms

1.5.The Relevancy of the Project

There is a global need to develop better solar cell materials and efficient control mechanisms and thus better, cleaner reliable and renewable energy source. Developing improved and efficient MPPT algorithm will enable increasing output power and thus reducing electricity generation cost. Therefore the growth in use of solar energy systems will be possible.

1.6.Feasibility of the Project within the Scope and Time frame

It is crucial that the objectives are realized by completing all the stages of the project in the allocated time.

Time management is a main element in this project to achieve the aimed results. The basic steps in order to successfully achieve the objective of this project in time are as follows:

1. Defining Activities:

When it comes to a project, activities should be prioritized.

First of all, the high-level requirements are divided into high-level tasks or deliverables. Then, they are further broken down into activities

2. Sequencing Activities:

In order to manage the project time, it is critical to identify the activity sequence. The activities identified in the previous step should be sequenced based on the execution order.

When sequencing, the activity interdependencies should be considered.

3. Resource Estimating for Activities:

The estimation of amount and the types of resources required for activities is done in this step. Depending on the number of resources allocated for an activity, its duration varies.

4. Duration and Effort Estimation:

A key step in the project planning process is time and effort estimation. Higher accuracy is needed in this step.

5. Development of the Schedule or Gantt chart:

In order to create a precise schedule, previous parameters are put in a visual form to monitor the activities and milestones [7].

The Gantt chart in Appendix A will explain further about the tasks and the assigned time for them.

CHAPTER 2: Literature Review

2.1 PV Array Model

An electrical equivalent circuit of solar cell can be obtained as shown in Figure 1. The circuit contains a current source with a diode, a shunt resistance and a series resistance as shown below [6].

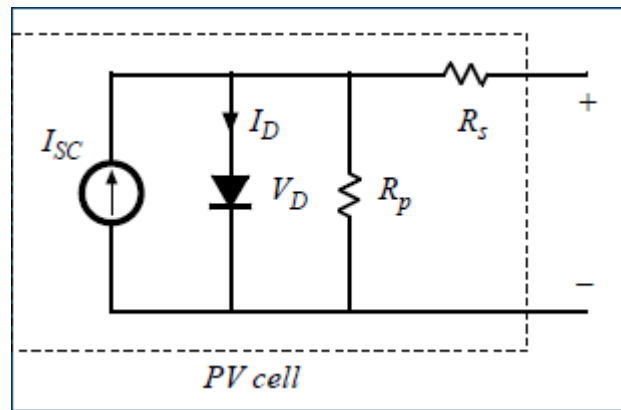


Figure 1: PV cell equivalent circuit

The current I_D is mainly responsible for producing the nonlinear I-V characteristics of the PV cell. The PV cell model can be more developed by including a second diode as shown connected by the dotted lines. The second diode provides a more accurate I-V curve that takes in consideration for the difference in current [6][7].

Using KCL:

$$I_{sc} - I_D - \frac{V_D}{R_p} - I_{PV} = 0 \quad (1)$$

Diode characteristic:

$$I_D = I_0 \left(e^{V_D/V_T} - 1 \right) \quad (2)$$

KVL:

$$V_{PVcell} = V_D - R_s I_{PV} \quad (3)$$

Where:

I_{sc} : Short circuit current of PV cell

I_D : Diode current

I_0 : pn junction reverse saturation current

I_{PV} : PV current

V_{PV} : PV voltage
 V_D : Diode voltage
 R_S : Series resistance
 R_p : Parallel resistance

A group of current-voltage characteristics defines the behaviour of a PV. Every curve is plotted for a constant uniform irradiance and a given temperature. Figure 2 shows V-I curve of a PV module for different sun irradiances [8].

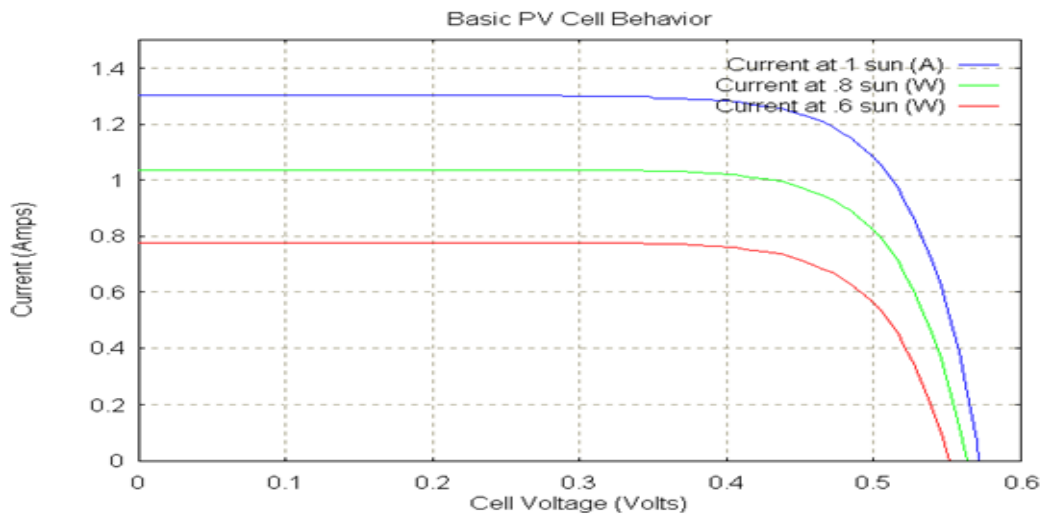


Figure 2: V-I curves of a PV module for different sun irradiances.

MPP is the point on the curve where the PV module operates with maximum efficiency and produces the maximum power output: every curve has a single MPP.

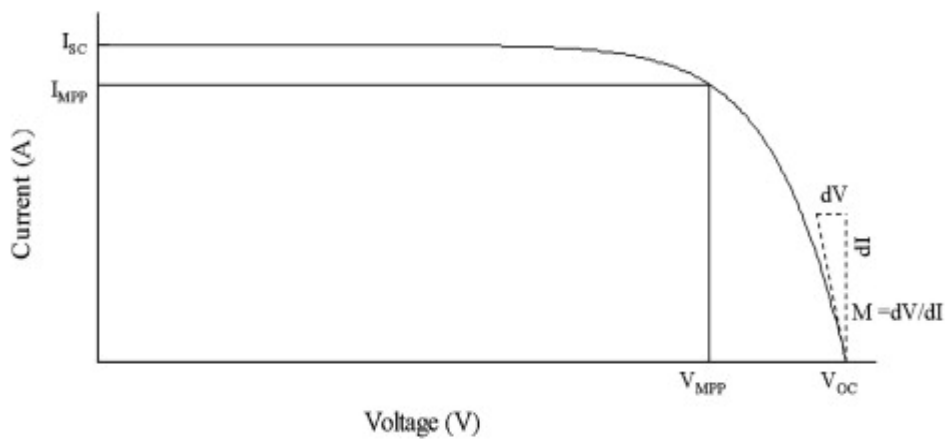


Figure 3: Typical V-I curve of a PV module

Figure 3 shows that at voltage V_{MPP} and current I_{MPP} , the PV module outputs the maximum possible power. The slope M corresponds to the Power.

The aim of current researches is to operate the PV module at the MPP. To achieve that, several algorithms were developed as mentioned earlier.

In research, MPPT algorithms will be categorized into two categories:

1. Conventional algorithms
2. Intelligent algorithms (AI)

2.2. Conventional MPPT algorithms:

2.2.1. Perturb and observe Algorithm (P&O)

The perturb and observe (P&O) algorithm is the most commonly used in practice because of its simplicity and ease of implementation in addition to its high reliability and tracking efficiency.

The most basic form of the P&O algorithm operates as shown in Figure 4.

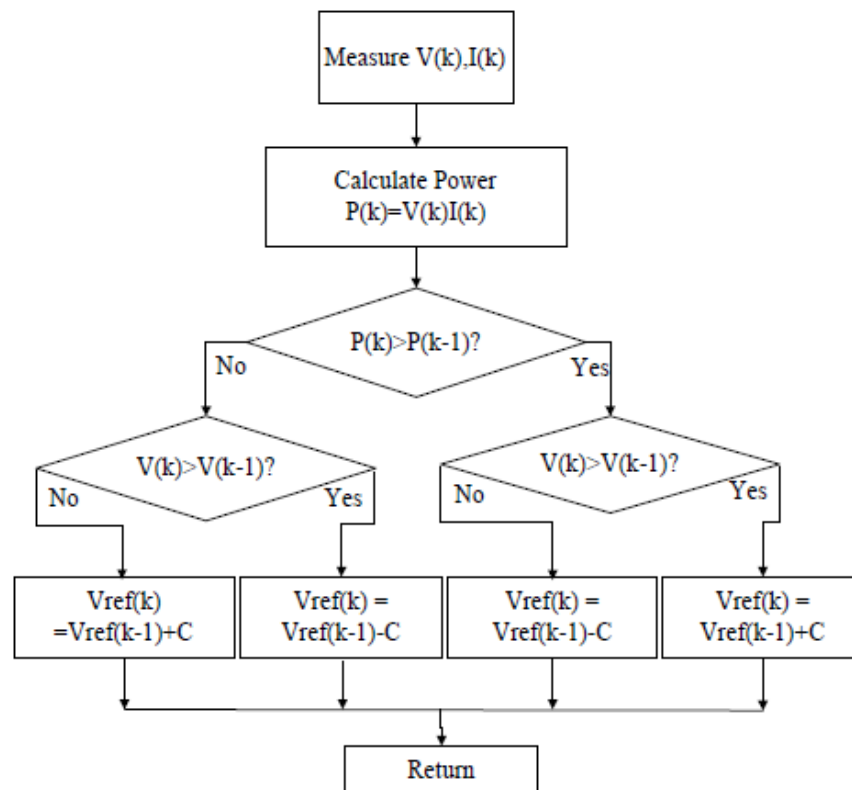


Figure 4: P&O flowchart

From figure 4, it is seen that P&O is founded on the calculation of the PV array output power and the power change by detecting both the PV current and

voltage. The controller functions regularly by comparing the present value of the power output with the previous value to determine the change on the solar array voltage or current. Power is calculated from the measured voltage and current. The magnitude of voltage and power at k^{th} instant are stored. Then the magnitude of power and voltage at $(k - 1)^{th}$ instant are measured again and power is calculated from the measured values. If the magnitude of power is growing, the perturbation will continue in the same direction in the next cycle, else the perturbation direction is reversed. When the MPP is reached, the system then oscillates around the MPP [5].

P&O has drawbacks that reduce its MPPT efficiency such as large steady state error and the oscillations at the MPP.

To try to overcome these drawbacks, a modified P&O algorithm is created.

Figure 5 shows the Modified P&O:

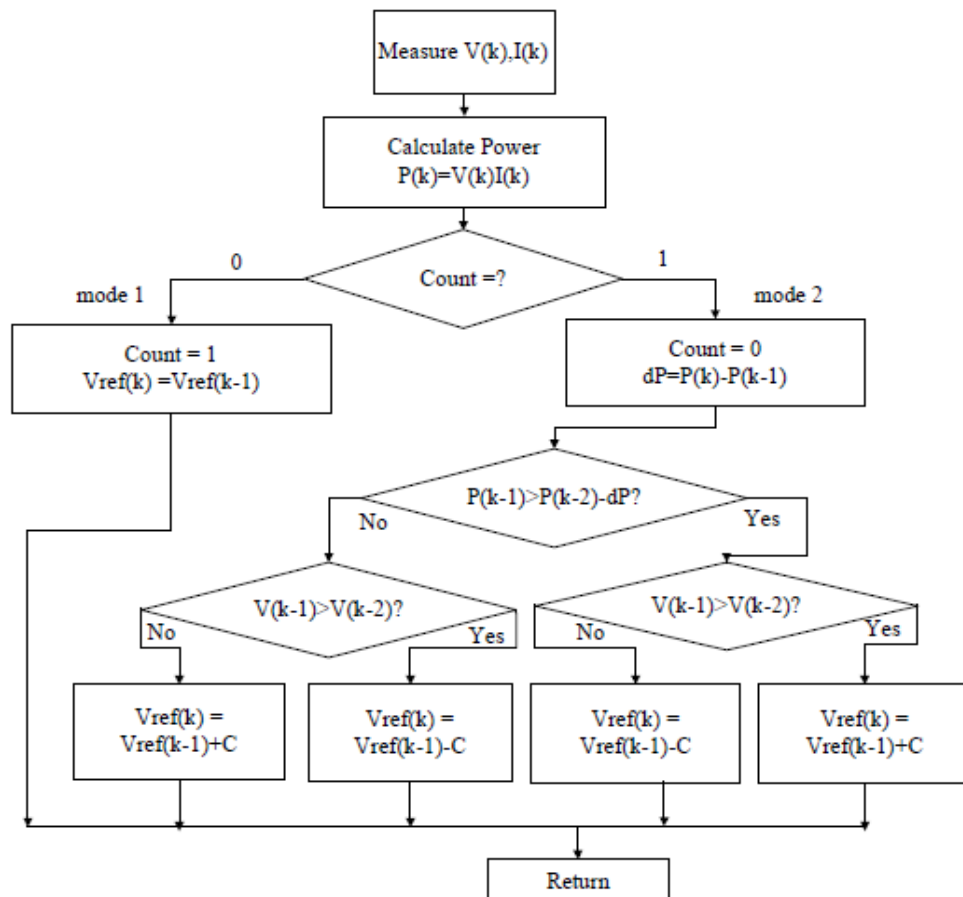


Figure 5: Modified P&O algorithm flow chart

There are two operation modes: Mode 1 for approximation process; and Mode 2 for perturb process. Mode 1 measures the power variation due to the previous

voltage change and atmosphere change, and retains the PV voltage constant for the next control stage. Mode 2 measures the power difference and determines the new PV voltage based on the present and the previous power variations. This algorithm overcomes the oscillation problem. However, it consumes double the time P&O algorithm uses [5].

2.2.2. The Incremental Conductance (INC) Algorithm

In this algorithm, the PV array's incremental conductance is used to determine the direction of perturbation. It compares the incremental conductance (dI/dV) with the instantaneous conductance (I/V). From figure below, at the MPP, $dp/dv = 0$

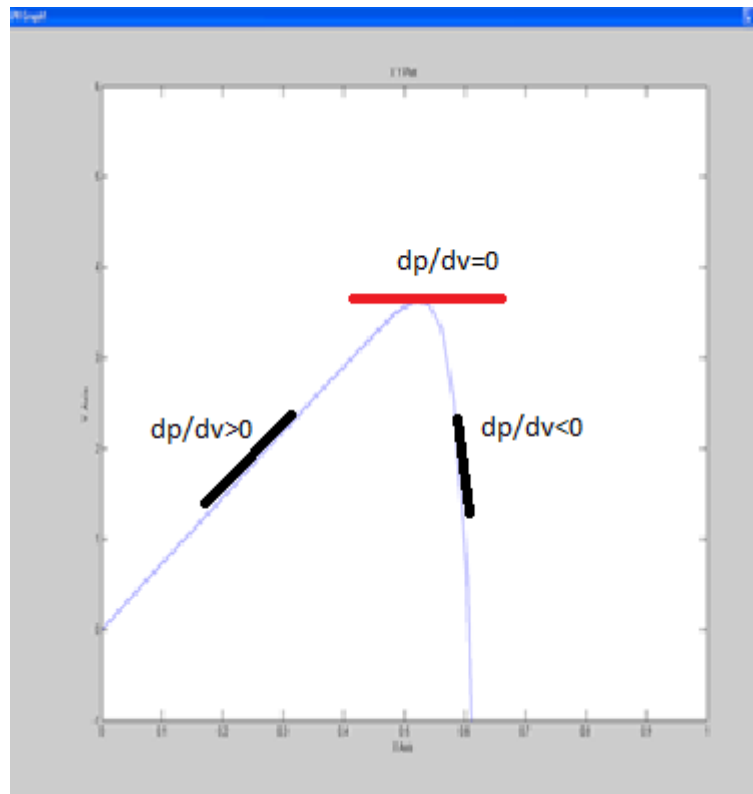


Figure 6: dp/dv at MPP

When $dp/dv=0$, PV array is operating at its maximum power point and no perturbation occurs. However, if it is not equal to zero a decision has to be made as to which direction the next perturbation will happen based on the value of the dp/dv [9].

Applying the chain rule for the derivative of products yields to
The following equations explained in Figure 6.

$$\frac{dI_{PV}}{dV_{PV}} = -\frac{I}{V} \text{ at MPP} \quad (4)$$

$$\frac{dI_{PV}}{dV_{PV}} > -\frac{I}{V} \text{ Left of MPP} \quad (5)$$

$$\frac{dI_{PV}}{dV_{PV}} < -\frac{I}{V} \text{ Right of MPP} \quad (6)$$

The major drawbacks of this algorithm since it uses a fixed step size (duty cycle) are excessive steady state oscillations resulting in a relatively low efficiency. A trade-off between dynamics and oscillations is always present.

A modification was done to this algorithm by introducing a variable step size.

Figure 7 indicates the algorithm developed.

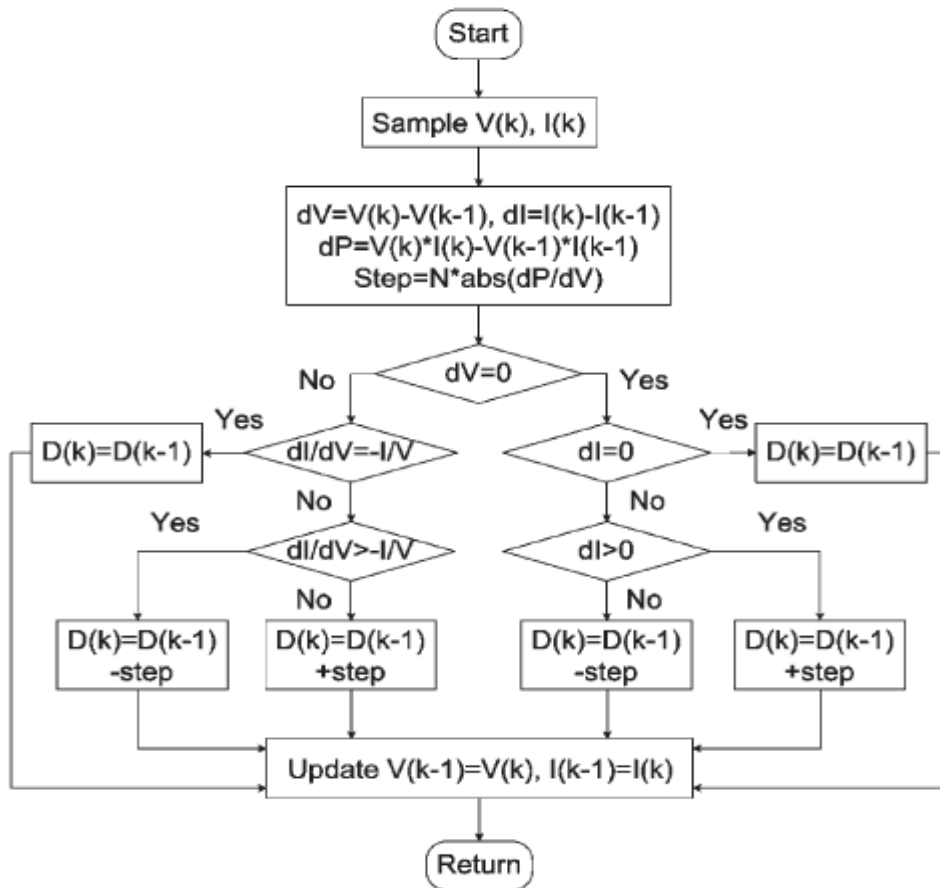


Figure 7: Variable step size INC flowchart [9]

In the flow chart, it is seen that the converter duty cycle iteration step size is automatically tuned allowing better performance.

2.3. Artificial intelligence (AI) Algorithms:

In order to improve the currently used algorithms, criteria that are to be enhanced have to be defined.

Among these criteria:

1. The Algorithm efficiency:

In order to reduce the energy generation cost and acquire better energy generation, efficiency should be increased [10].

2. Recognition of Tracking Direction:

In order to respond to rapidly changing environment, the MPPT controller should keep the correct sense of direction [10].

3. Reduction of steady state errors.

So as to be able to improve the above mentioned, AI algorithms are to be explored further in MPPT domain but first of all studied to be able to formulate their use.

2.3.1. Overview on Artificial intelligence:

Computational intelligence also known as artificial intelligence is the study of the design of intelligent agents [11].

An agent is something that acts in an environment. The world can be seen as a number of agents in an environment. The agent's environment may well include other agents. Each agent has some internal state that can decrypt theories about its environment and itself. It may have goals to achieve ways to achieve them, and several methods to alter its beliefs by analysis, assessment, and learning [11].

Artificial intelligence algorithms cover numerous and diverse branches of computer science and mathematics including: pattern recognition, predictive modelling, text mining and search, genetic programming, heuristics, inference, ontology and data analytics.

Artificial intelligence is commonly referred to as machine learning. It is used today for optimization, regression and classification [12].

2.3.2. Particle Swarm Optimization (PSO)

To optimize complex problems with multivariable objective function, PSO method is always used. This method is effective in the case of the presence of multiple local maximum power points.

PSO adapts the behaviour and searches for the best solution-vector in the search space. A single solution is called particle. Each particle has a fitness/cost value that is evaluated by the function to be minimized, and each particle has a velocity that directs the flying of the particles. The particles fly through the search space by following the optimum particles.

The algorithm is initialized with particles at random positions, and then it explores the search space to find better solutions. In every iteration, each particle adjusts its velocity to follow two best solutions. The first is the cognitive part, where the particle follows its own best solution found so far. This is the solution that produces the lowest cost (has the highest fitness). This value is called pBest (particle best). The other best value is the current best solution of the swarm.

The PSO algorithm is based on the cooperation of multiple agents that exchange information obtained in their respective search process [11][12].

Since MPPT algorithm algorithms get stuck in local minima and maxima, PSO can help overcome the problem as well as decrease steady state error and increase the efficiency.

The velocity and position update follows the below equations:

$$V_i^{k+1} = wV_i^k + c_1r_1(P_i^k - X_i^k) + c_2r_2(P_g^k - X_i^k) \quad (7)$$

$$X_i^{k+1} = X_i^k + V_i^{k+1} \quad (8)$$

Where

V_i^{k+1} : particle velocity,

X_i^{k+1} : current Position of a particle,

P_i^k : local best position

P_g^k : global best position

r_1, r_2 : random number between 0 & 1

c_1, c_2 : learning factors.

The above equations are used in the developed algorithm as show in the methodology section.

2.4.Related Work:

Table 1 show the efficiency of each algorithm and their drawbacks:

Table 1: MPPT algorithms efficiency

Reference	Reported MPPT Efficiency				
	Perturb and Observe	Incremental conductance	Constant Voltage	AI techniques	
[1]				98%	(PSO)
[10]				98.7%	(ANN-P&O)
[11]				99.2%	(Fuzzy Logic)
[1][2]			99%		
[2]		98%			
[12]		98.2%			
[8]			95%		
[4]			98.7%		
[3][12]	98.1%				

The recorded efficiencies are considered high. However for each case, few drawbacks arise such as getting caught in maxima, high steady state error and inability to follow the direction of change in perturbation in which hinders the overall performance of the MPPT.

Table 2: Reported MPPT Algorithms drawbacks

MPPT Algorithms Drawbacks			
Perturb-and-observe	Incremental conductance	Parasitic capacitance	AI techniques
<ul style="list-style-type: none"> • Large steady state error • Oscillation at the maximum power point 	<ul style="list-style-type: none"> • Power of solar panel is a non-linear function of duty cycle 	<ul style="list-style-type: none"> • Get stuck at local maxima or minima 	<ul style="list-style-type: none"> • Trade-off between settling time and steady state error • Slow response

Table 2 shows some of the drawbacks that each algorithm experience. That is why more improvement should be performed.

2.5. Summary of Chapter 2:

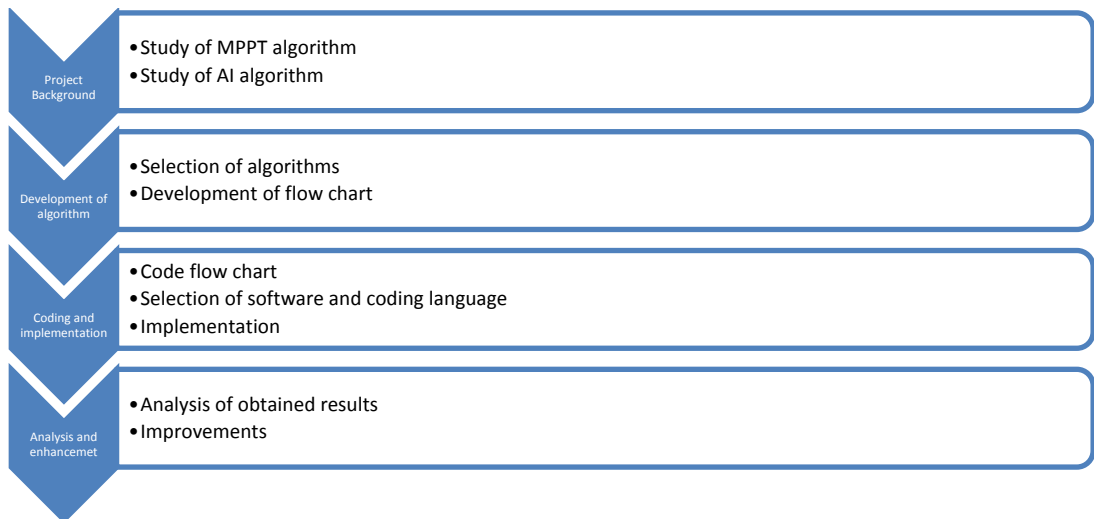
The photovoltaic cells were explained and, its related graphs and equations. Maximum power point tracking algorithm was described along with their efficiencies and drawbacks. MPPT algorithms are divided into two groups; conventional and intelligent algorithms. Each algorithm is discussed briefly showing its flow chart and the drawbacks and efficiency and modifications already developed to improve it. Study of the AI algorithms, specifically, PSO, is shown as well as its potential use in the MPPT field. Comparison tables between various algorithms are developed paralleling the efficiency and drawback of each.

CHAPTER 3: Methodology

3.1. Research Methodology

Simulation is an increasingly significant methodological approach yielding to new prototypes and thus products. In this project simulation of MPPT algorithms and development of AI based MPPT algorithms are achieved using MATLAB. The simulation requires creation of flow charts and diagrams of the targeted algorithms.

3.2. Project Activities



3.3. Outline and structure of the developed algorithms:

As per the literature review, the main focus of this paper is Particle swarm optimization.

Two algorithms using the later are developed: PSO and PSO-INC (Particle Swarm Optimization-incremental conductance). Figure 8 shows the general outline followed while developing the algorithms.

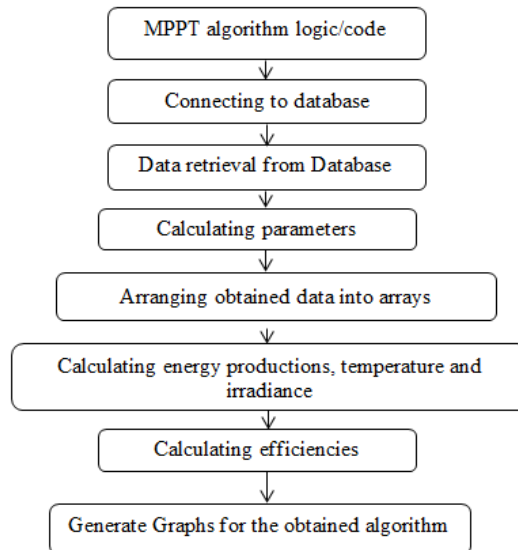


Figure 8: General Algorithm flow chart

3.3.1. Suggested Method 1 PSO Flow Chart:

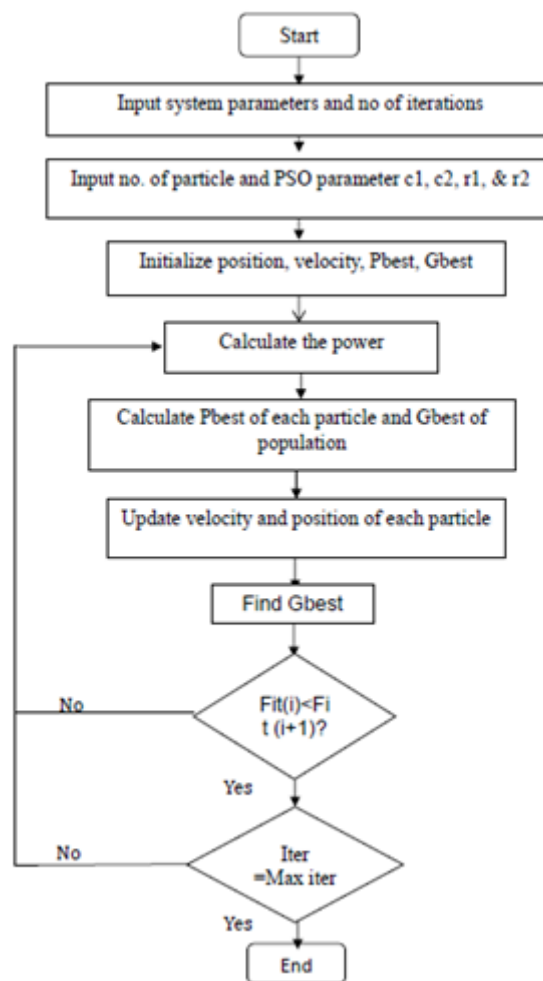


Figure 9: Suggested Method 1(PSO) flowchart

As shown in Figure 9, PSO algorithm is very simple yet it offers a great deal of flexibility to suit changing weather conditions by adjusting few parameters. Here two parameters defined as position and velocity are updated at each iteration the fitness function is the maximum power. As the iteration number increases the maximum power is updated and output the maximum power obtained until the reached iteration.

3.3.2. Structure of suggested Method 2 PSO-INC algorithm:

The PSO-INC algorithm uses the same block for the PSO section. In addition to this, a derivative block that takes the derivative of the output PV power is added to produce a pulse width modulation (PWM) signal. The later serves as a duty cycle tuner and one of the inputs to a DC-DC converter that generates the adequate input voltage to the PV module. Figure 10 shows the structure of the suggested method.

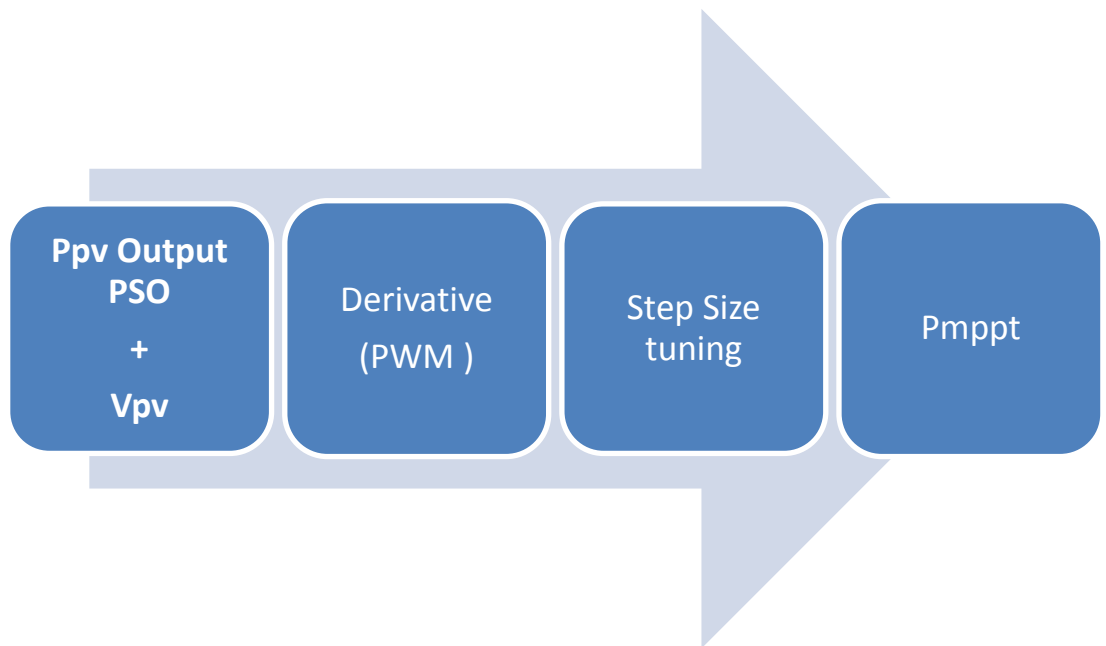


Figure 10: Suggested Method 2 (PSO-INC) structure

Where:

Ppv output PSO: The output from PSO block

Pmppt: Power output at maximum power point tracker.

3.4. Tools and materials:

3.4.1. MATLAB

MATLAB offers a set of tool that is very useful simulating MPPT algorithms. A block diagram environment known as SIMULINK for multidomain simulation and Model-Based Design is offered in MATLAB. It serves as a foundation for system-level design, simulation, automatic code generation, and continuous test and verification of embedded systems [13].

This tool is used to simulate PV arrays and MPPT algorithms.

3.4.2. Irradiation databases

The data fed into the algorithms (irradiance) to which the PV is subject to, as mentioned above, are extracted from available meteorological databases.

In the databases, the monthly average daily values were compiled for each site and presented in tabular forms if at least 80% of the days for a particular month had complete data (i.e. six or fewer days missing).

The annual average daily values for a particular year are listed.

Table 3 shows a sample data from the Abilene, Texas database:

Table 3: Alpine Texas database sample data[16]

Year	Month	GHI	DNI	DHI	Temp.
2001	1	2.8	4.62	0.76	6.1
2001	2	3.31	3.66	1.42	9.8
2001	3	4.19	4.2	1.76	11.4
2001	4	5.87	5.23	2.38	19.9
2001	5	6.67	6.51	2.03	24
2001	6	7.54	8.23	1.75	28.2
2001	7	7.46	8.38	1.58	31.5
2001	8	6.01	5.95	1.93	28.8
2001	9	5.76	6.77	1.54	24.1
2001	10	4.81	6.95	1.05	19
2001	11	3.07	4.13	1.12	14.6
2001	12	2.8	4.56	0.92	9.4
2001	Average	5.02	5.77	1.52	18.9
2002	1	3.22	5.2	0.91	9
2002	2	4.47	6.75	1.12	8.5
2002	3	5.03	5.87	1.6	12.3
2002	4	5.41	4.62	2.21	20.1
2002	5	6.69	5.97	2.44	22.9
2002	6	6.98	6.47	2.34	26.8
2002	7	6.48	6.17	2.12	27.2
2002	8	6.9	7.27	1.84	29.3
2002	9	5.63	6.42	1.67	25
2002	10	2.91	2.84	1.37	16.3
2002	11	3.4	5.58	0.9	11.5
2002	12	2.89	4.92	0.84	8.6
2002	Average	5	5.67	1.61	18.1
2003	1	3.39	6.12	0.74	7.3
2003	2	3.34	4.05	1.32	8.2
2003	3	5.28	6.26	1.48	14.1
2003	4	6.64	7.52	1.69	20.3

Where:

GHI: Global Horizon Irradiation

DNI: Direct Normal Irradiation

DHI: Diffuse Horizon Irradiation

Temp: Average temperature

The values used from this database are GHI values.

Another data sample is from NASA climatology Resource For

Agroclimatology.

Daily Averaged Data (Evaluation Version) for Kuala Lumpur in 2012 is shown Table 4.

Table 4: Kuala Lumpur meteorological data[17]

WEYR	WEDAY	SRAD	TMAX	TMIN	RAIN	WIND	TDEW	T2M	RH2M
2012	1	16.5	28.3	26.3	-99	2.2	24.1	27.2	82.7
2012	2	20.6	30.2	25.1	-99	1.4	23.6	27.7	78.0
2012	3	17.5	29.4	25.6	-99	1.8	23.9	27.5	80.3
2012	4	21.0	29.5	25.1	-99	2.8	23.4	27.2	79.1
2012	5	21.1	29.9	24.3	-99	2.1	22.6	27.3	75.3
2012	6	20.4	29.3	25.1	-99	2.2	23.3	27.3	78.4
2012	7	22.1	29.9	24.3	-99	2.7	22.5	27.1	75.8
2012	8	15.5	29.3	25.6	-99	2.0	23.2	27.2	78.6
2012	9	13.1	28.1	24.5	-99	1.9	23.0	26.4	81.3
2012	10	14.8	28.9	25.5	-99	2.0	23.7	27.3	80.6
2012	11	13.3	28.5	25.4	-99	2.1	23.8	27.1	81.8
2012	12	7.6	28.0	25.6	-99	2.4	23.8	26.9	82.9
2012	13	12.3	28.9	26.5	-99	1.9	24.1	27.5	81.5
2012	14	-99	28.3	26.4	-99	1.7	24.0	27.4	81.5
2012	15	15.9	28.6	25.9	-99	2.6	23.8	27.2	81.5
2012	16	20.6	29.6	27.1	-99	2.0	23.9	28.3	76.7
2012	17	20.8	28.5	26.1	-99	2.9	24.2	27.3	82.9
2012	18	15.3	28.2	26.1	-99	2.4	24.3	27.2	84.1
2012	19	18.6	29.2	26.3	-99	1.3	23.8	27.7	79.0
2012	20	18.1	28.2	26.5	-99	2.5	23.9	27.3	81.5
2012	21	18.5	28.4	26.2	-99	3.4	23.9	27.1	82.8
2012	22	18.6	27.9	26.2	-99	2.8	24.1	26.9	84.4
2012	23	18.4	28.6	26.2	-99	2.5	23.8	27.1	82.2
2012	24	22.6	29.3	26.0	-99	2.2	23.9	27.7	79.7
2012	25	20.9	30.6	26.2	-99	2.1	23.5	28.3	74.7
2012	26	20.7	29.7	24.6	-99	2.6	22.7	27.5	74.7
2012	27	18.5	30.4	24.5	-99	2.4	23.2	27.5	77.2
2012	28	13.4	28.4	25.5	-99	1.6	23.8	26.9	82.5
2012	29	16.7	28.7	26.0	-99	1.4	23.6	27.5	79.1
2012	30	-99	29.1	26.2	-99	1.8	24.1	27.7	80.4
2012	31	13.9	29.1	27.0	-99	1.3	24.3	27.8	81.0
2012	32	19.7	29.3	25.6	-99	2.5	23.8	27.2	81.8
2012	33	19.5	28.4	24.8	-99	2.5	23.6	26.6	83.6
2012	34	15.4	27.4	25.4	-99	2.2	23.5	26.4	83.8
2012	35	17.2	28.6	24.7	-99	2.2	23.4	26.5	82.8
2012	36	22.4	30.1	25.1	-99	2.0	23.4	27.6	77.7
2012	37	21.4	28.8	26.8	-99	2.5	24.3	27.7	81.7

Where:

SRAD	daily Insolation Incident On A Horizontal Surface (MJ/m ² /day)
T2M	Average Air Temperature At 2 m Above The Surface Of The Earth (degrees C)
TMIN	Minimum Air Temperature At 2 m Above The Surface Of The Earth (degrees C)
TMAX	Maximum Air Temperature At 2 m Above The Surface Of The Earth (degrees C)
RH2M	Relative Humidity At 2 m (%)
TDEW	Dew/Frost Point Temperature At 2 m (degrees C)
RAIN	Average Precipitation (mm/day)
WIND	Wind Speed At 10 m Above The Surface Of The Earth (m/s)

Data in SRAD is used as input to the PV module but after converting I into watt per meters square.

Appendix B shows more data samples from the above stated source in addition to others.

Another database from Saudi Arabia, used to compare the results obtained is shown in Table 5.

Table 5: Long-term daily mean values of sunshine duration and global solar radiation in KSA

#	City	Lat (Deg.)	Lon (Deg.)	Alt (m)	S (Hours)	GSR W/ m ²
1	Sakaka	29.97	40.20	574	9.0	5315
2	Tayma	27.63	38.48	820	9.2	5589
3	Hail	27.47	41.63	1010	9.4	5233
4	Sarrar	26.98	48.38	75	8.7	4548
5	Al-Ula	26.62	37.85	681	9.1	5808
6	Qatif	26.55	50.00	8	8.4	4740
7	Maaqala	26.37	47.37	450	8.9	4877
8	Zilfi	26.30	44.80	605	8.9	5589
9	Unayzah	26.07	43.98	724	9.3	5479
10	Uqtalas-Suqur	25.83	42.18	740	9.1	6110
11	Hutatsudair	25.53	45.62	665	9.0	5890
12	Al-Hofuf	25.50	49.57	160	8.7	5671
13	Shaqra	25.25	45.25	730	9.2	6055
14	Hanakiya	24.85	40.50	840	9.1	6055
15	Riyadh	24.57	46.72	564	9.2	5123
16	Madina	24.52	39.58	590	9.1	6356
17	Dawdami	24.48	44.37	0	8.8	5945
18	Derab	24.42	46.57	0	8.7	6192
19	Al-Kharj	24.17	47.40	430	9.1	5562
20	Harad	24.07	49.02	300	9.0	4685
21	Yabrin	23.32	48.95	200	9.1	5644
22	Al-Aflat	22.28	46.73	539	9.0	6000
23	Khulays	22.13	39.43	60	8.9	5973
24	Sayl Kabir	21.62	40.42	1230	8.9	6740
25	Turbah	21.40	40.45	1130	9.0	5726
26	Taif	21.23	40.35	1530	8.9	5425
27	Sulayyil	20.47	45.57	600	9.0	6575
28	Bisha	20.02	42.60	1020	9.2	7014

29	Heifa	19.87	42.53	1090	9.1	6082
30	Juarshy	19.85	41.57	2040	8.5	5425
31	Modaylif	19.53	41.05	53	8.5	6356
32	Kiyad	18.73	41.40	30	8.4	5123
33	Sirr-Lasan	18.25	42.60	2100	8.7	5041
34	Abha	18.22	42.48	2200	8.7	5836
35	Sabya	17.17	42.62	40	8.5	5014

Where:

Lon: longitude

Lat: latitude

Alt: Altitude

S: sunshine duration

GSR: global solar radiation

3.5. Algorithms Development:

The algorithms development is made on several stages, starting from the creation of the PV module acting as a platform to embed the proposed algorithms until obtaining the results.

3.5.1. PV module simulation:

As seen in section 2.1, the single diode model of solar cell is utilized.

The simulation of the PV module is done in steps starting from the model discussed above until the creation of the module. PV module models are implemented as masked subsystems in Simulink.

Figure 11 shows the solar cell:

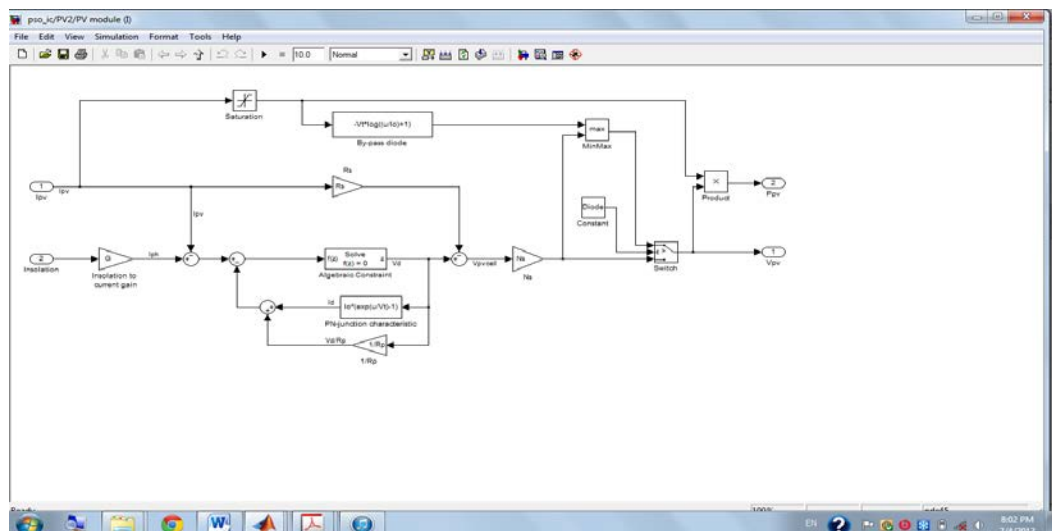


Figure 11: Solar cell submask in Simulink

In Figure 11, the inputs are the PV current and insolation and the outputs are the PV voltage and PV power.

The upper sub mask, shown in Figure 12, is a Current-input PV module with an algebraic constraint. The inputs are the PV voltage and the insolation. The outputs are the PV current and PV power.

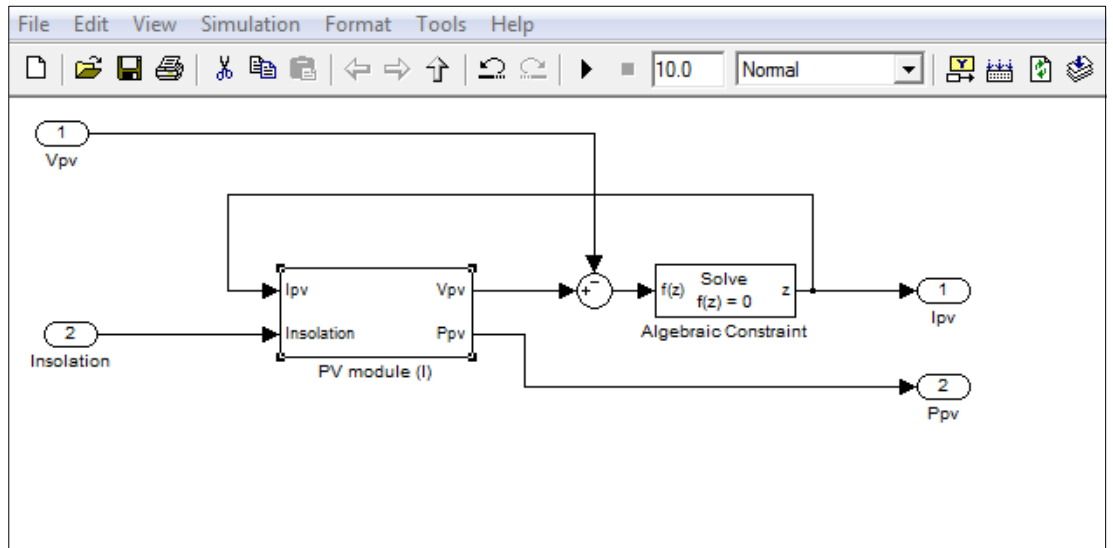


Figure 12: Current input PV module

This leads to the final PV module that is seen in the overall algorithm developed. The module is shown in Figure 13.

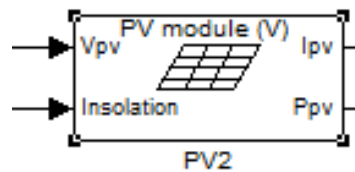


Figure 13: PV module

The solar cell parameters of the equations (1), (2) and (3) in section 2.1. should be initialized by editing the Mask as presented in Figure 14:

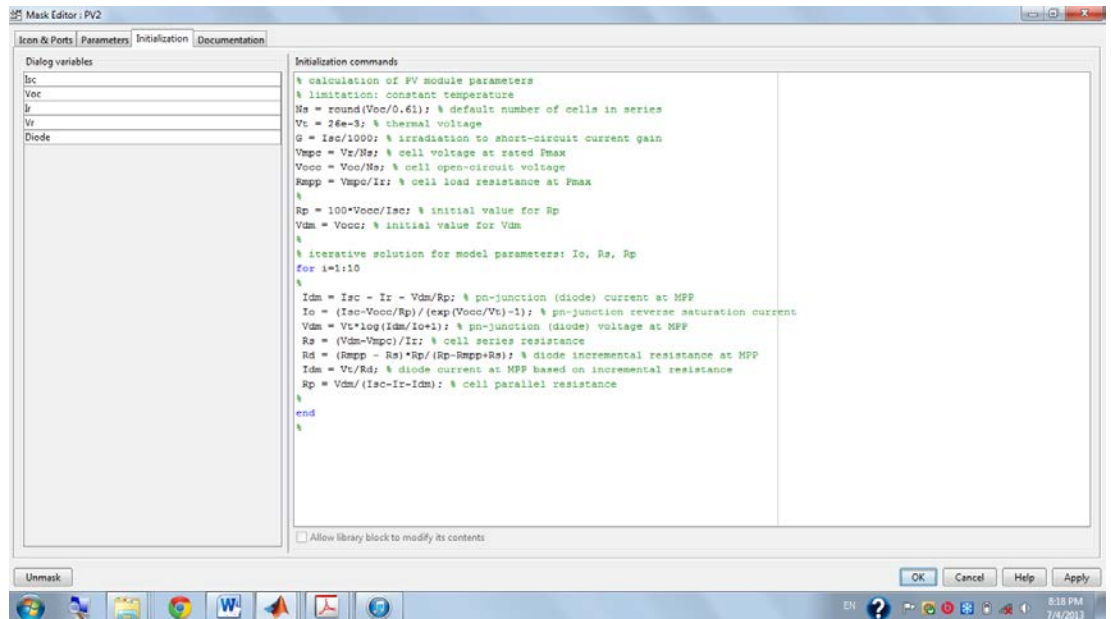


Figure 14: PV module Parameters initialization

Figure 15 shows the complete PV module with the inputs representing the voltage and irradiance are set to be a repeating sequence

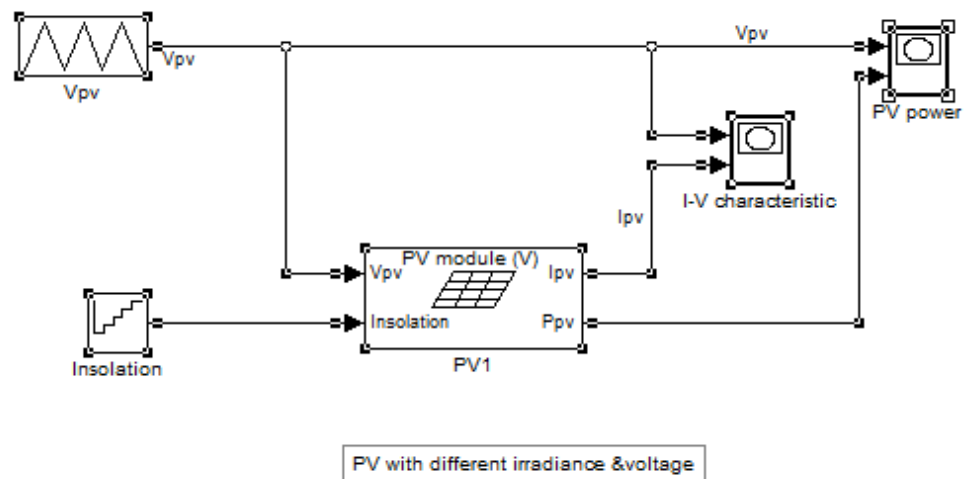


Figure 15: PV module Simulation In Simulink

The above model is further developed to include the MPPT algorithm which is created in Simulink using MATLAB function blocks. Chapter 4 clarifies more details concerning the simulation of the model and the results obtained.

3.5.2. Suggested Method 1 PSO Algorithm Development:

In order to develop the suggested algorithms in MATLAB Simulink, MATLAB Function block is used since it enables coding user's functions. The function is executed while running the simulation.

For the PSO algorithm, a MATLAB function block is created. Its inputs are Current and Irradiance and outputs are PV current and PV power.

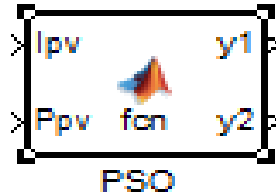


Figure 16: PSO MATLAB function block

Refer to appendix C for the complete code.

3.5.3. Suggested Method 2 PSO-INC Algorithm Development:

Following the same method, in PSO-INC algorithm, Pulse width modulation block and DC-DC converter are developed.

1. DC-DC converter Block:

To control the photovoltaic power system is necessary to use a DC-DC converter; the most adequate is the Buck converter. It reduces the input voltage. Figure17 shows the topology used [20].

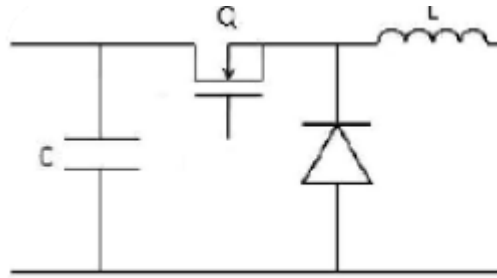


Figure 17: Buck converter topology used in DC-DC converter

The Simulink Model was created using the following differential equations that define the behaviour of the buck converter of Figure 17. Figure 18 shows the model.

$$L \frac{di_l}{dt} = V_{PV} \cdot D - V_{BAT} \quad (9)$$

$$L \frac{dV_{PV}}{dt} = I_{PV} - i_l \cdot D \quad (10)$$

Where:

i_l : Current of the battery

D: PWM parameter Control {0, 1}

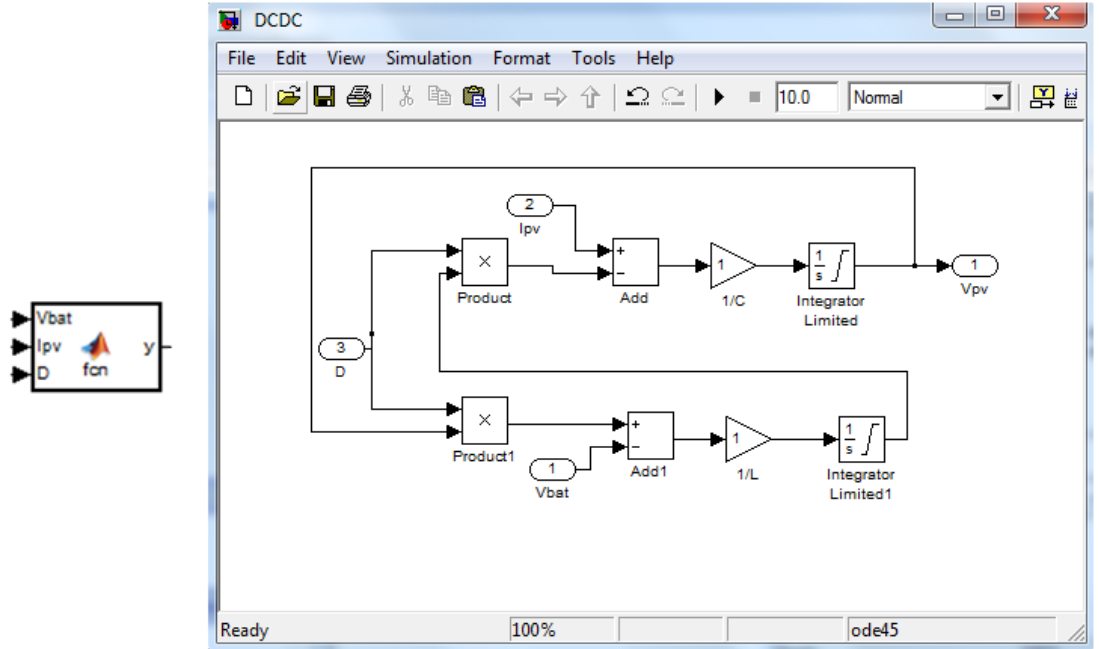


Figure 18: DC-DC Simulink Model

The capacitor needed in this converter has to be a power capacitor in order to be able to support large currents.

$$I_C = \frac{P}{N_S \cdot V_{PV}} = \frac{1600}{32.9} = 48.6 \text{ A} \quad (11)$$

The efficacy value is expressed as follows:

$$I_{Ceff} \sqrt{\frac{1}{T} \int I^2} = \frac{1}{3} I_C = 16.2 \text{ A} \quad (12)$$

The value of the capacitor is 33mF.

As for the inductor, the equation to model the function of inductor is:

$$L = \frac{V_{bat} \Delta T}{\Delta i_l} = \frac{24 \times 25 \times 10^{-6}}{5} = 125 \mu H \quad (13)$$

1. PWM controller Block:

The PWM controller is based on the Incremental conductance section of the algorithm where the change in the output power of PV panel result in changes in the voltage of the panel and therefore a change in the pulse width (duty cycle). Figure 19 describes the PWM model.

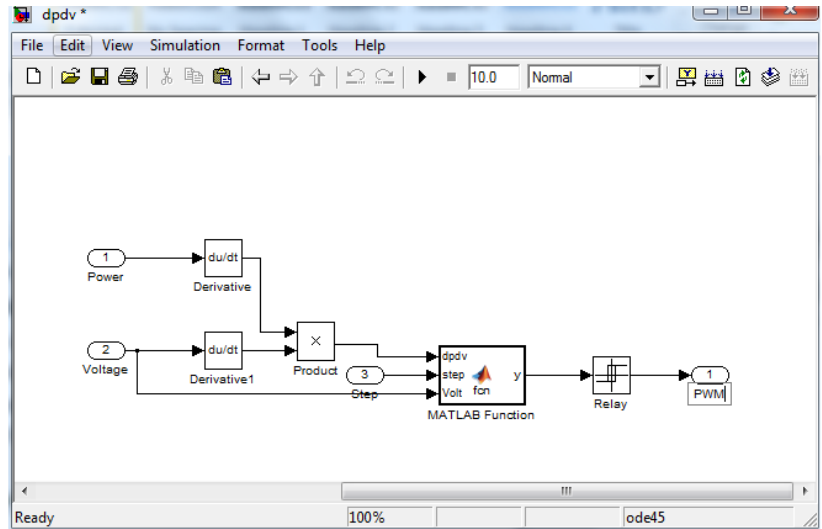


Figure 19: PWM controller Simulink Model

3.6. Gantt chart

Appendix A shows the Gantt chart for the project showing the project activities and time allocation for each task.

CHAPTER 4: Results, Discussion and Validation

4.1. PSO results:

The PSO model developed is shown in Figure 20:

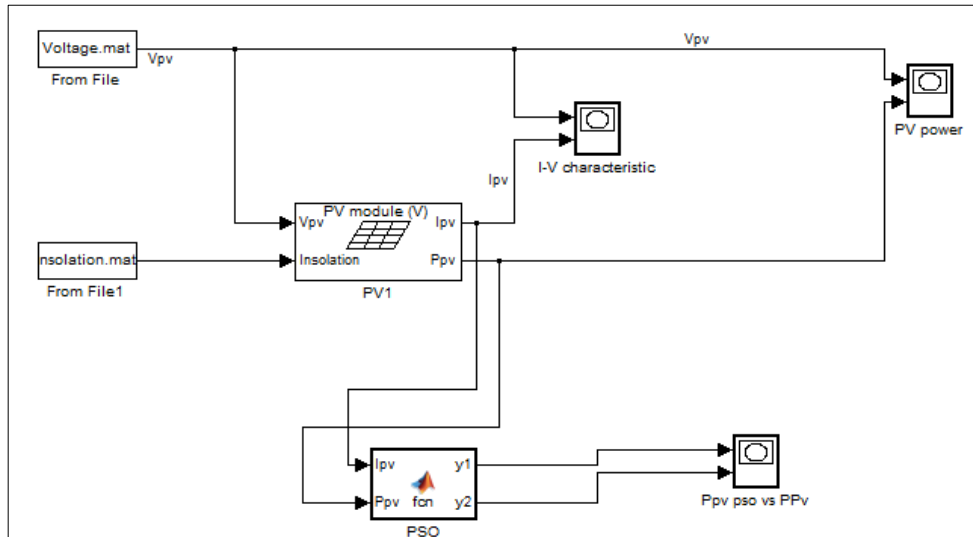


Figure 20: PSO Simulink Model

As previously discussed, the PV module is used as a platform to be able to test the algorithm. The MATLAB function block named PSO is the main section of the model.

The model is fed with two different sets of irradiance data; Kuala Lumpur and Saudi Arabia.

4.1.1. Case study 1- Kuala Lumpur Results:

The Output from the PV model is shown using scope named PV power in Figure 21.

Also the characteristic curves of Current vs, voltage at different irradiance are displayed using Scope I-V characteristic in Figure 22.

The fitness function (maximum power) vs. PV Power is displayed using Ppv pso vs PPV scope in Figure 23.

The resulting graphs are displayed in Figure 21, 22 and 23.

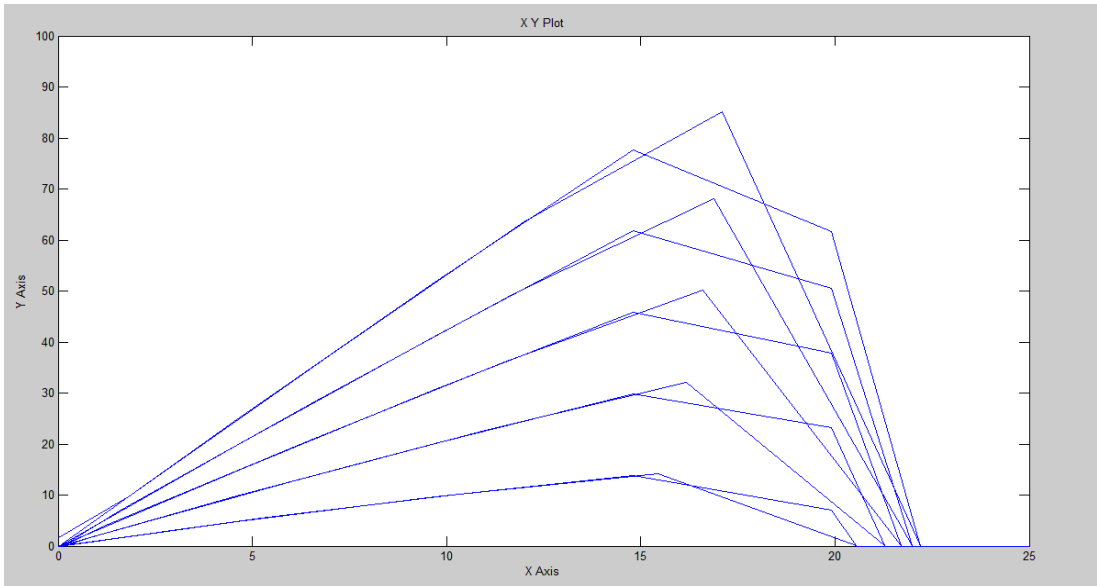


Figure 21: Power vs. Voltage at different irradiance

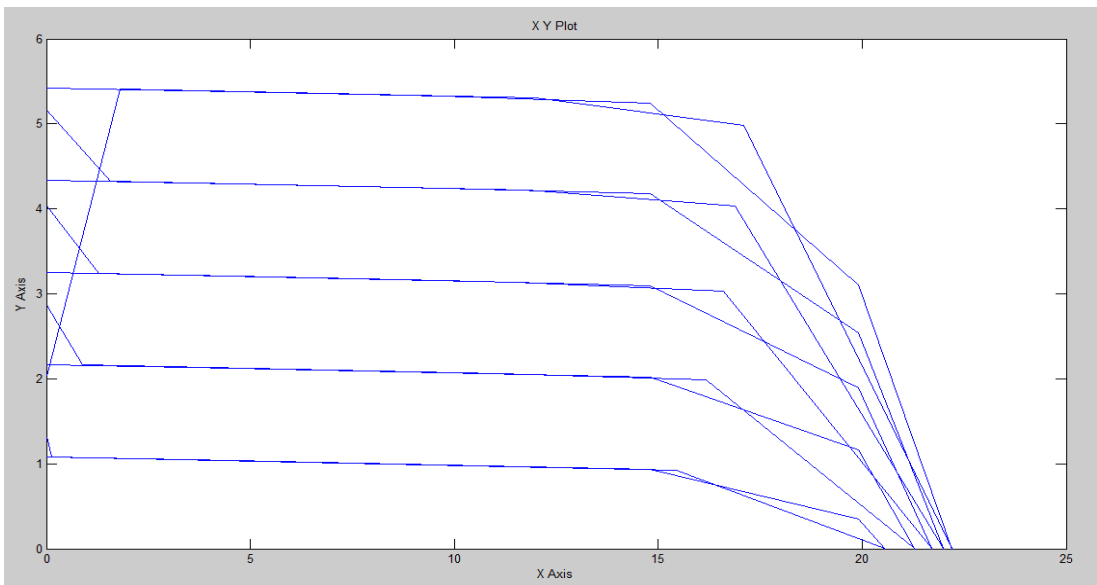


Figure 22: I-V Characteristic at different irradiance

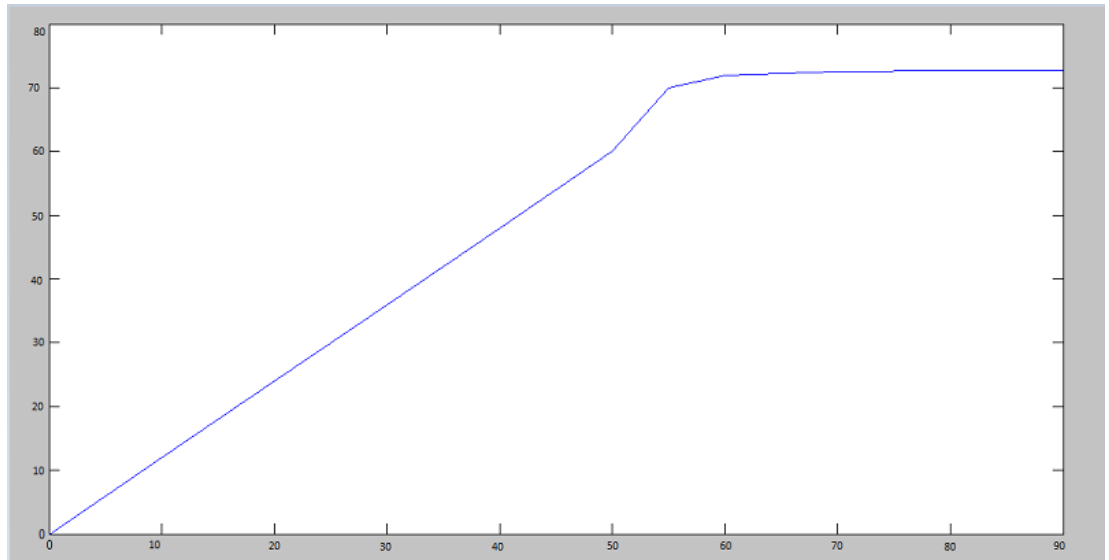


Figure 23: Fitness function (Pps0) vs. Ppv

The efficiency is calculated and tabulated. Table 6 shows the results for Kuala Lumpur.

Table 6: Efficiency of Proposed Method 1 PSO algorithm

G W/m ²	Theoretical Output of PV panel [1]			Output of PV panel using PSO (Proposed Method 1)			Efficiency (%)
	Voltage V(volts)	Current I (Amps)	Power P (watts)	Voltage V(volts)	Current I (Amps)	Power P (watts)	
200	13.9	1	13.9	15.42	0.9	14.08	98.74
400	14.14	2.27	32.1	13.91	2.3	31.2	97.4
600	14.83	3.08	45.8	15.14	3.02	45.2	98.6
800	16.8	4.3	68.09	17	4	67.93	98.7
1000	14.9	5.3	79	15.2	5	78	99.5
200	13.9	1	13.9	15.43	0.89	14.09	98.79
400	14.14	2.27	32.1	13.91	2.3	32	99.6
600	14.83	3.08	45.8	15.14	3.02	45.68	98.2
800	16.8	4.3	68.09	17	4	67.9	98.65
1000	14.9	5.3	79	15.2	5.07	79.92	99.45

The mean efficiency for PSO algorithm is 98.7%

4.1.2. Case study 2-Saudi Arabia Results:

Similarly, the results are shown in Figure: 24, 25 and 26

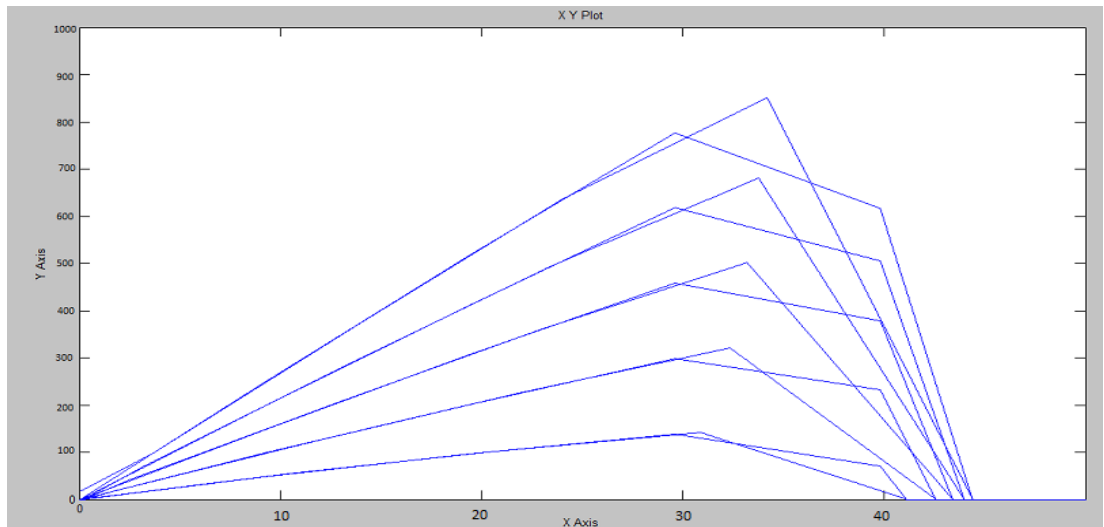


Figure 24: Power vs. Voltage at different irradiances

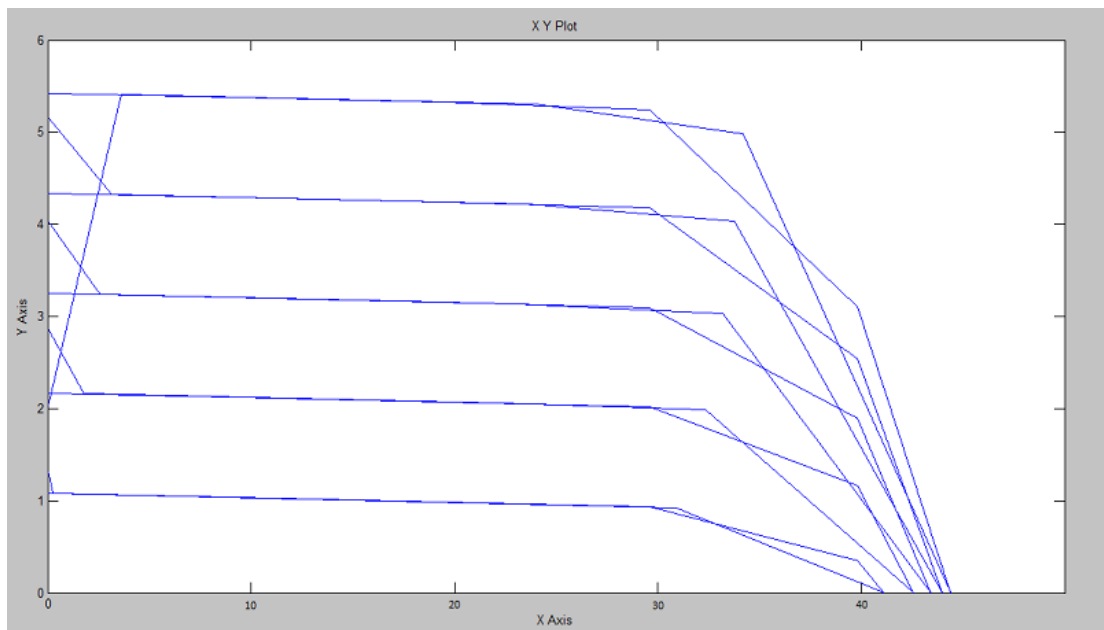


Figure 25: I-V Characteristic at different irradiances

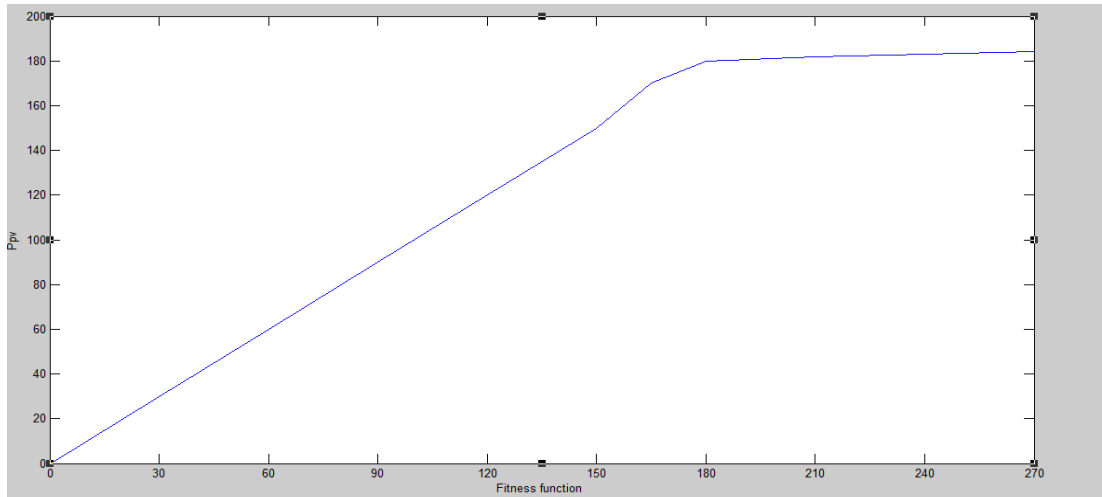


Figure 26: Fitness function (Pps0) vs. Ppv

The efficiency is calculated and tabulated. Table 7 shows the results for KSA for one iteration

Table 7: Efficiency of Proposed Method 1 PSO algorithm

G W/m ²	Theoretical Output of PV panel [1]			Output of PV panel using PSO (Proposed Method 1)			Efficiency (%)
	Voltage V(volts)	Current I (Amps)	Power P (watts)	Voltage V(volts)	Current I (Amps)	Power P (watts)	
200	33.9	1	33.9	32.3	1.04	33.5	98.74
400	34.14	2.27	77.5	33.1	2.3	31.2	98.2
600	34.83	3.08	107.2	35	3.02	105.7	98.6
800	36.8	4.3	158.2	39.2	4	67.93	98.2
1000	37	5.3	184.97	36.8	5	78	99.5

The mean efficiency for PSO algorithm is 98.7%

As seen from the different set of results obtained, for a certain value of voltage and current the panel provides a maximum output. The output power of the panel increases as the module voltage increases, it reaches to a peak and drops as the voltage approaches to the open circuit voltage. In addition to this, the output current and the voltage are affected by the

variations in the irradiation as observed in Figure 21 and Figure 22 as well as Figure 24 and Figure 25

From Figure 23 and Figure 26, it is seen that the PSO algorithm is able to track the maximum power point. The graph shows an increasing curve until reaching the maximum power then instead of decreasing, the value of the power is sustained at the maximum.

The algorithm developed is able to track the direction of change, overcoming one of the problems in the earlier developed algorithms.

Also, the efficiency is increased.

4.2. PSO – INC results:

The PSO-INC model developed is shown in Figure 27:

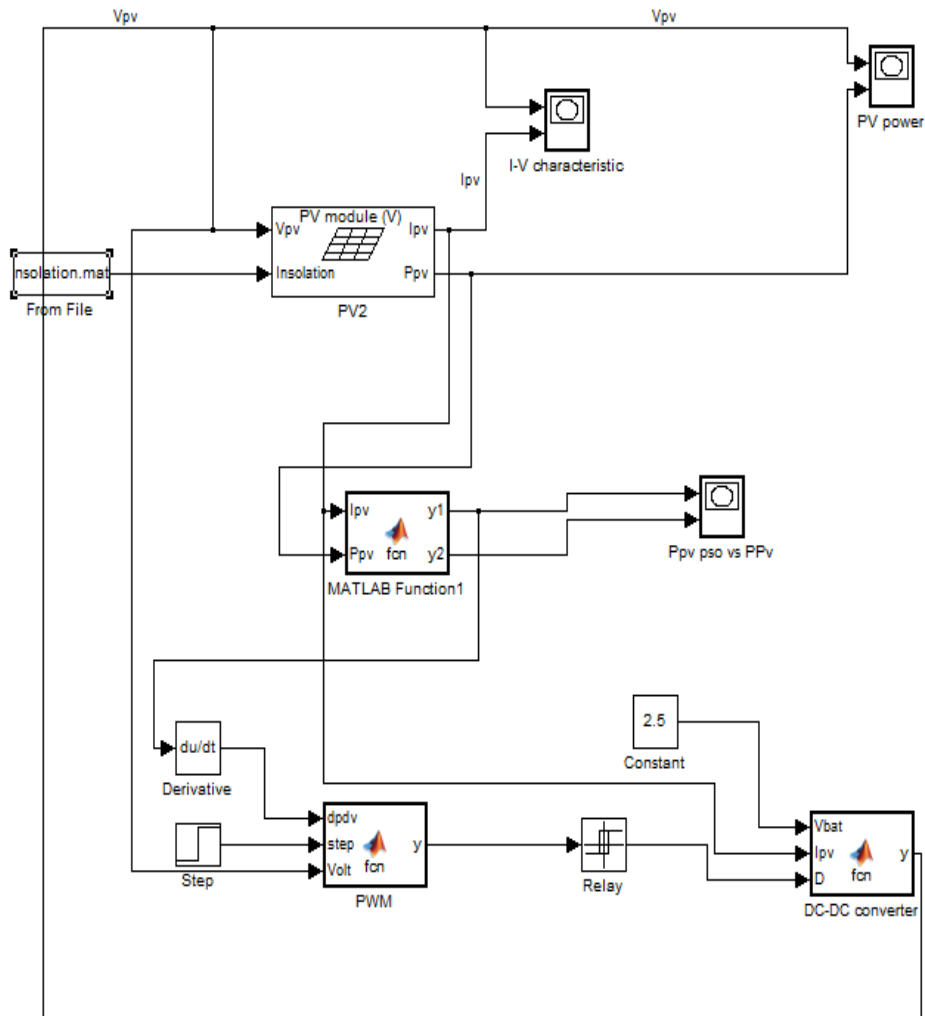


Figure 27: PSO-INC Simulink model

As explained in section 3.5.3, all the blocks in Figure 27 are developed in order to enable tracking of Maximum Power Point.

The resulting graphs are shown below.

4.2.1. Case study 1-Kuala Lumpur Results:

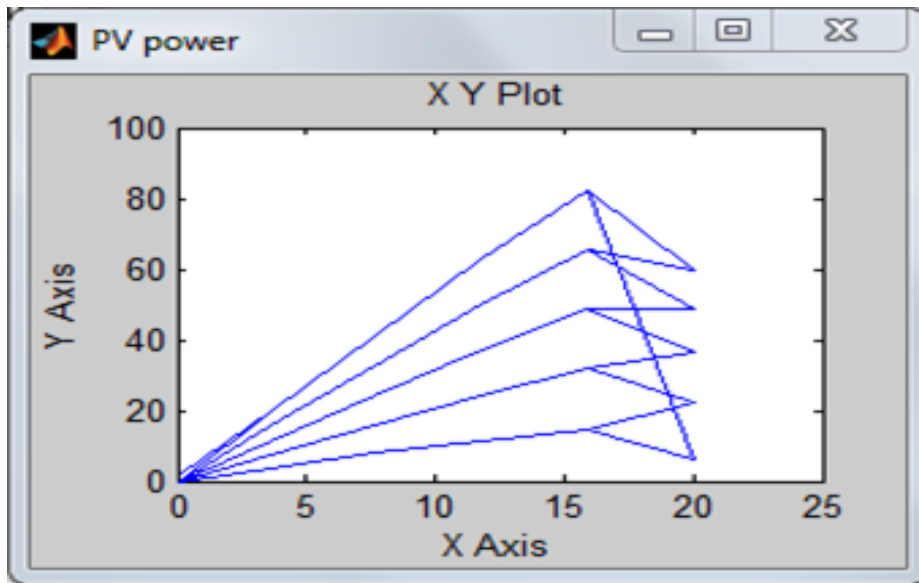


Figure 28: Power vs. Voltage at different irradiances

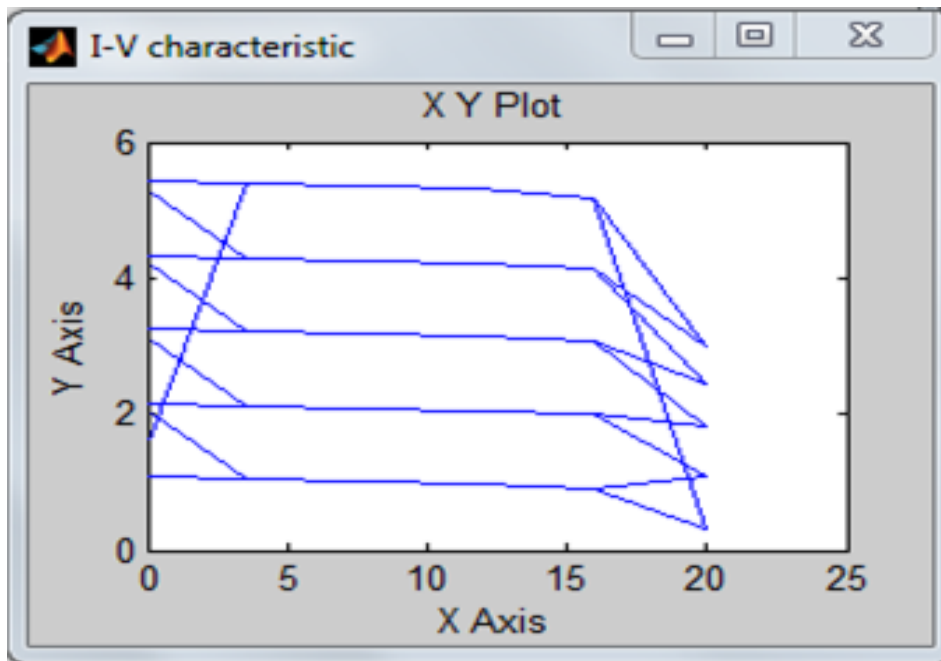


Figure 29: I-V Characteristic at different irradiances

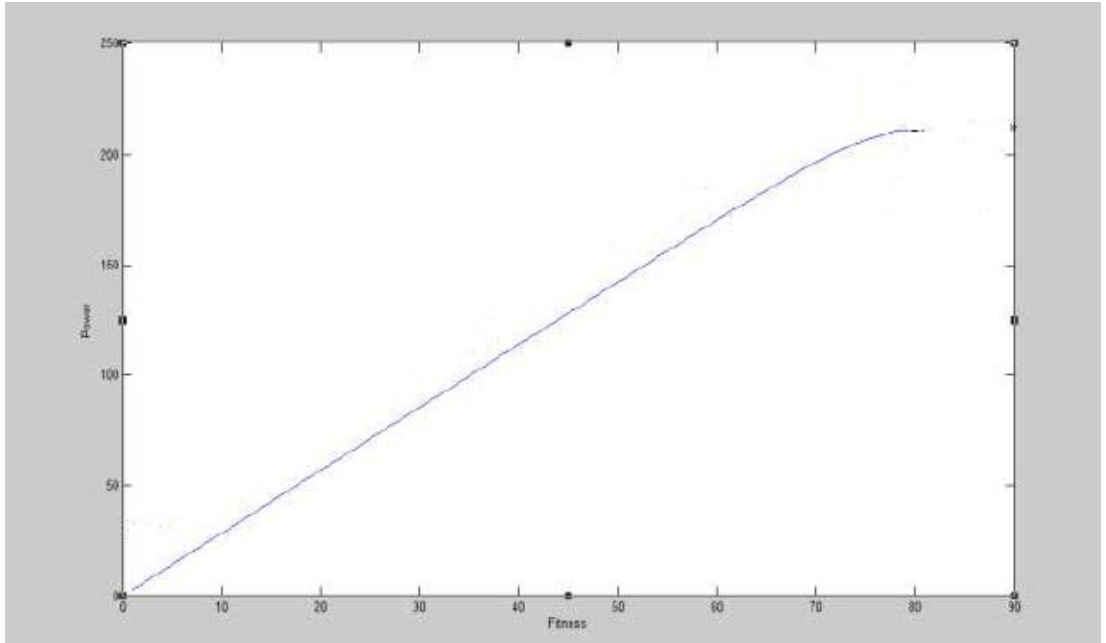


Figure 30: Fitness function vs. Ppv

Figure 28, 29 and 30 are similar to the ones obtained in Section 4.1.1. However, Figure 30 is smoother than Figure 23.

4.2.2. Case study 1-Saudi Arabia Results:

The results for KSA data set are shown in Figures 31, 32 and 33

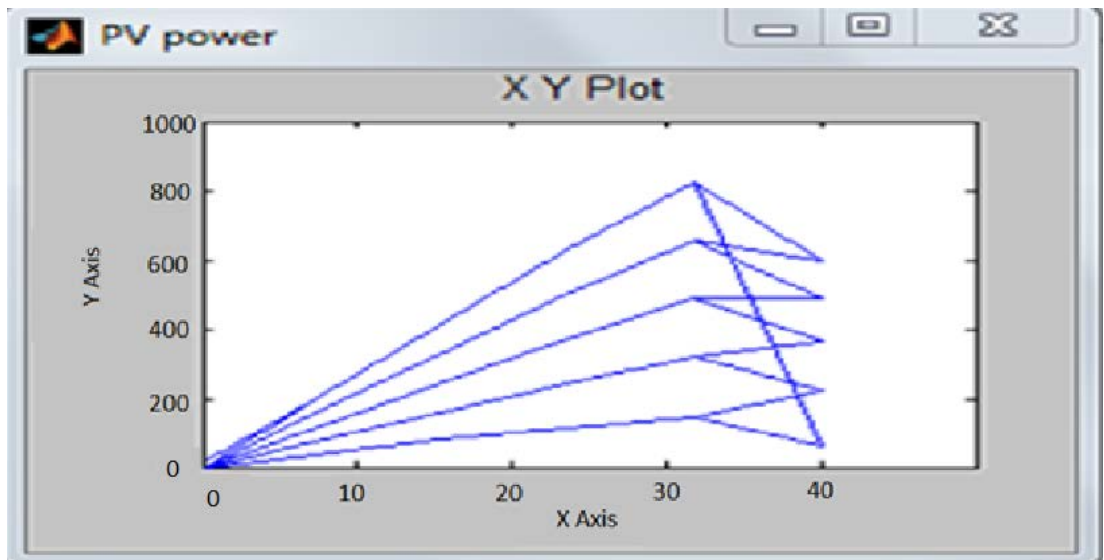


Figure 31: Power vs. Voltage at different irradiance

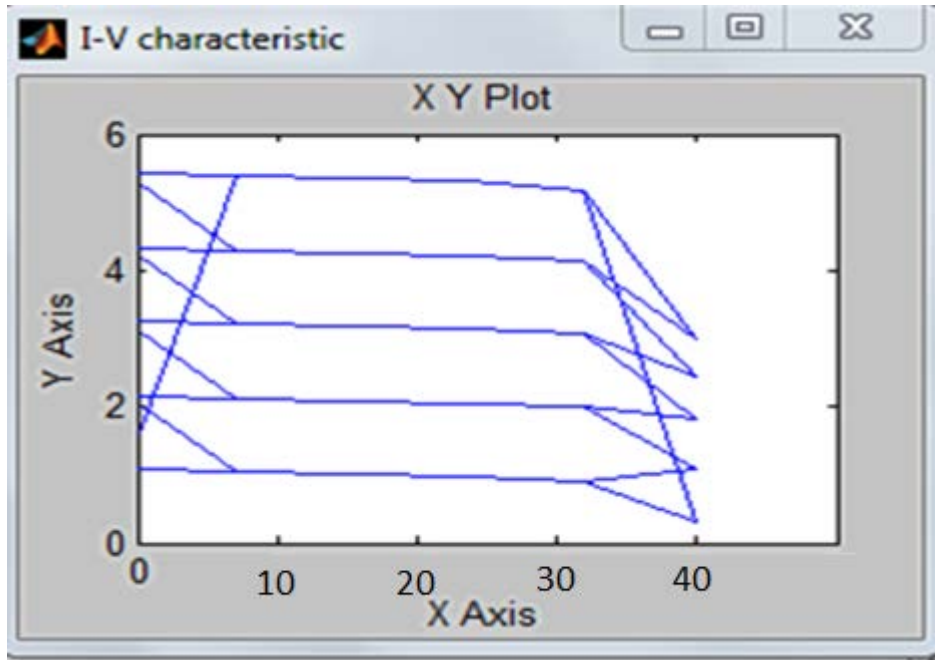


Figure 32: I-V Characteristic at different irradiance

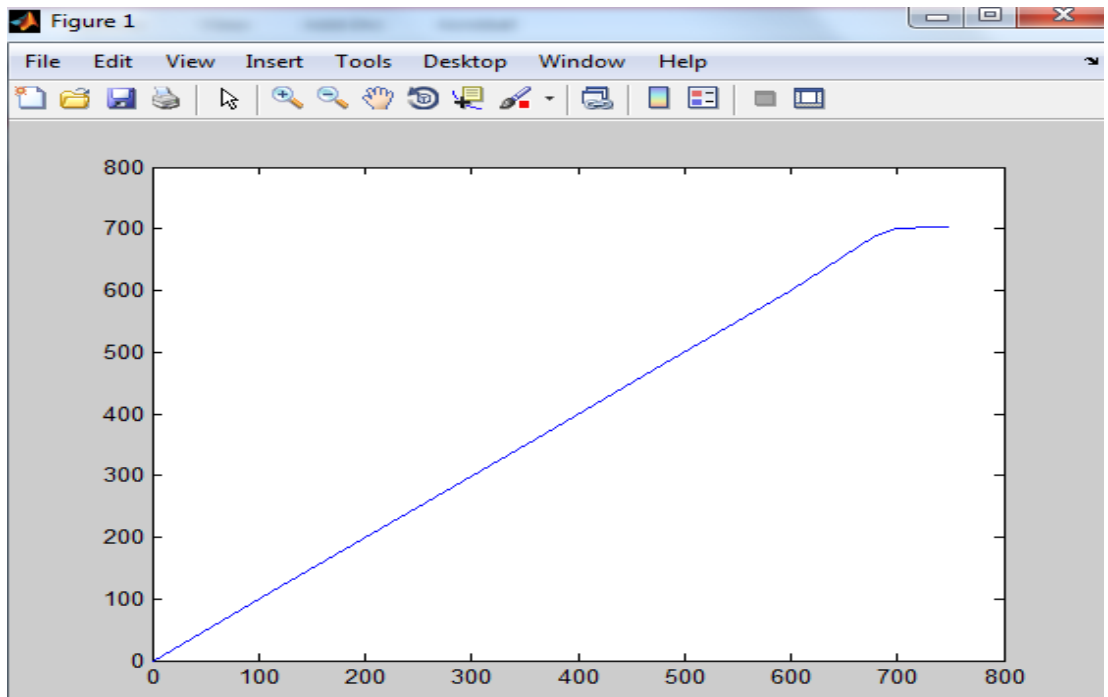


Figure 33: Fitness function vs. Ppv

MPPT system using PSO-INC calculates the voltage at which the module is able to produce maximum power and input to the PV module. In addition to increased efficiency and correct sense of tracking direction, the PSO-INC reaches steady state rapidly with no oscillations.

The simulated results using PSO and PSO-INC techniques are successfully able to track the maximum power point for a PV panel at any given Irradiation.

4.3. Validation:

The theoretical power, voltage and current output of the PV module (Kuala Lumpur Data set) are calculated for different irradiance and compared with the values obtained using Method 1 (PSO) and Method 2 (PSO-INC)

Table 8 : Comparison between Calculated and obtained results

G W/m 2	Theoretical Output of PV panel [1]			Output of PV panel using PSO (Proposed Method 1)			Output of PV using PSO-INC (Proposed Method 2)		
	Voltage V(volt s)	Current (Amp s)	Power (watt s)	Voltage V(volt s)	Current (Amp s)	Power (watt s)	Voltage V(volt s)	Current (Amp s)	Power (watt s)
200	13.9	1	13.9	15.42	0.9	14.08	14.17	0.98	13.89
400	14.14	2.27	32.1	13.91	2.3	32	14.32	2.24	32.09
600	14.83	3.08	45.8	15.14	3.02	45.2	15.1	3.03	45.34
800	16.8	4.3	68.09	17	4	67.93	16.585	4.1	68
1000	14.9	5.3	79	15.2	5	76	14.6	5.44	79.9
200	13.9	1	13.9	15.43	0.89	14.09	14.18	0.98	13.91
400	14.14	2.27	32.1	13.91	2.3	32	14.32	2.24	32.11
600	14.83	3.08	45.8	15.14	3.02	45.68	15.1	3.06	45.7
800	16.8	4.3	68.09	17	4	67.94	16.58	4.1	68
1000	14.9	5.3	79	15.2	5	76	14.59	5.44	79.98

To validate the developed methods, the efficiency of PSO and PSO-INC techniques are compared to previously developed methods using conventional algorithms (INC, P&O...) as well as earlier developed PSO algorithms.

Table 9: Efficiency of suggested Methods for MPPT compared to previously developed methods

No	Efficiency	Improvement
----	------------	-------------

Conventional MPPT algorithm	97.8 (mean)[1]	-
Previously developed PSO algorithm	98.3% [1]	0.5%
Proposed Method 1	98.6%	0.82%
Proposed Method 2	99%	1.23%

It is seen that the algorithms are able to track Maximum power point without being stuck in local minima and can track the direction of maximum power point at changing conditions (irradiance).

4.4. Case Study: Pulau Perhentian renewable energy farm

Applications of the above algorithms are various.

The fact that the efficiency was increased even though it is not very large, can contribute to the boost of the output of solar power farms in addition to the improvement of the overall performance.

For instance, the RE hybrid Site at Pulau Perhentian has a Solar farm housed for 100kW Solar PV.

According to the March 2008 system analysis, the Solar radiation at the location is presented in Figure 34 [21].

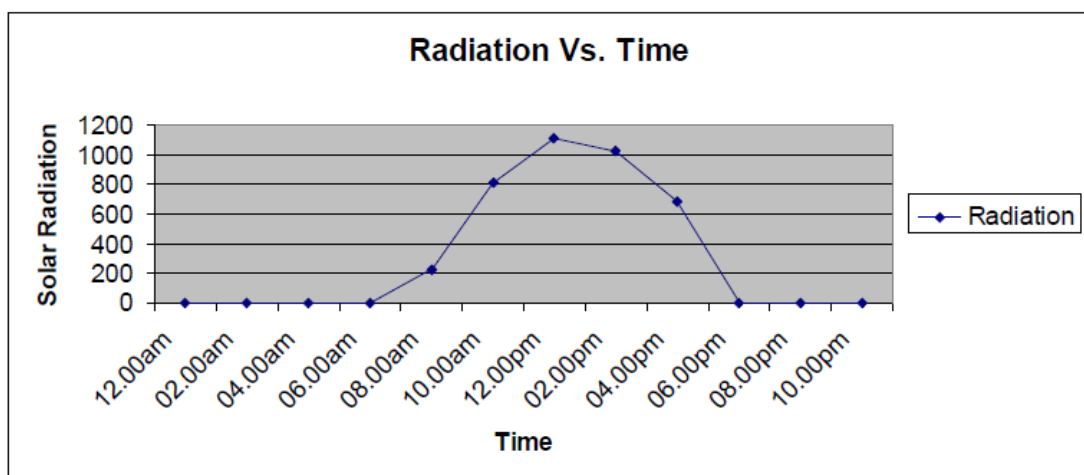


Figure 34: radiation Vs. Time in Pulau Perhentian

Also, Figure 35 shows that the maximum reached power is around 60Kw.

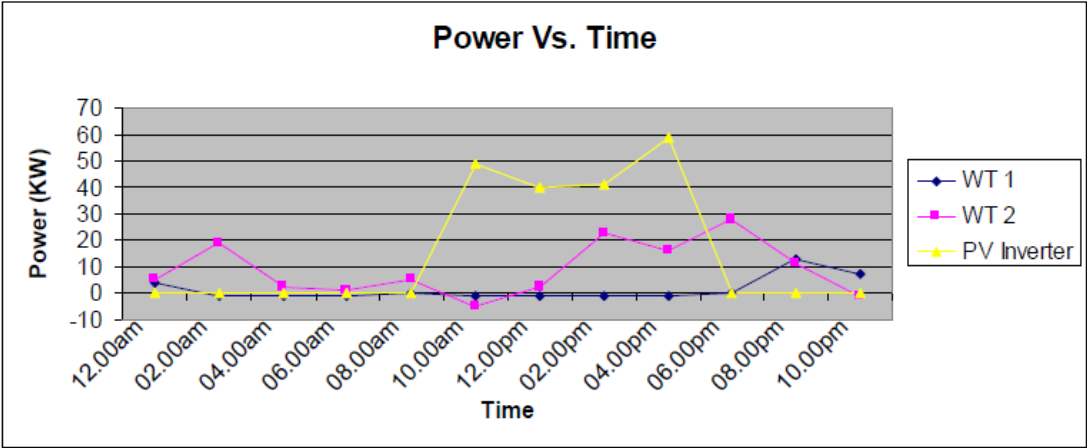


Figure 35: PV power vs time

The PSO-INC method can be used in this plant, especially that no mechanical tracker is installed. There are 585 single crystalline photovoltaic cells packed into modules (12modules) in the farm, each providing 171 W and the module efficiency in 13.7%.

If the algorithm is to be used a 1.25% increase in the efficiency of the module is to be achieved. The new efficiency becomes 43.65%. Therefore, The maximum power output can reach up to 80 KW.

CHAPTER 5: Conclusion and Recommendations

5.1. Conclusion

Solar energy is an abundant source of renewable energy. However, the efficiency of solar panel is limited. Efforts are made to improve it.

The development of Maximum Power Point Tracking algorithm of a Solar PV panel using Particle Swarm Optimization and Incremental conductance techniques is presented.

Two methods are proposed and two different set of irradiance are used to generate, verify and validate the results.

Comparison of Solar Photovoltaic panel output with and without optimization is presented. The results show that particle swarm optimization technique given better results. The efficiency of MPPT increases using PSO (reaches 98.6%) and PSO-INC Algorithm (reaches 99.3%). Compared to the theoretical values, the Maximum Power output increases with increased irradiance using AI techniques. At higher irradiance value, the output value can surpass the theoretical power value.

In addition to this, some drawbacks present in previously developed MPPT algorithms were overcome such as getting stuck in maxima or minima and oscillation at maximum power point. Also, the algorithm was able to track the power in the correct direction.

5.2. Recommendations for Future Work

Further work can be done by implementing the suggested method.

One way of realizing the hardware prototype is using Microcontrollers.

Works Cited

- [1] M. A. Azam, M. AshfanoorKabir, M. H. Imam and S. Abdullah-Al-Nahid, "Advanced Artificial Intelligence Algorithms for Microcontroller based Maximum Power Point Tracking of Photovoltaic," *International journal of advanced renewable energy research*, pp. pp. 143-155, 2012.
- [2] M. de Brito, L. Sampaio, G. Luigi, G. e Melo and C. Canesin, "Comparative Analysis of MPPT Techniques for PV Applications," in *Clean Electrical Power (ICCEP), 2011 International Conference on*, 2011.
- [3] S.Gomathy, S.Saravanan and D. S. Thangavel, "Design and Implementation of Maximum Power Point Tracking (MPPT) Algorithm for a Standalone PV System," *International Journal of Scientific & Engineering Research Volume 3, Issue 3*, 2012.
- [4] H. Cha and S. Lee, "Design and Implementation of photovoltaic power conditioning system using a current based Maximum Power Point tracking," in *43rd IEEE IAS*, 2008.
- [5] B. W. a. R. C. C. Liu, "Advanced Algorithm For MPPT Control Of Photovoltaic Systems," 2004.
- [6] B. Padmanabhan, *Modeling of solar cells*, Arizona State University, 2008.
- [7] "Solar cell model," [Online]. Available: <http://www.mathworks.com/help/phymod/elec/ref/solarcell.html>. [Accessed 23 October 2012].
- [8] A. Rajapakse, "Simulation Tools for Photovoltaic System Grid," in *Electrical Power & Energy Conference (EPEC), 2009 IEEE*, 2009.
- [9] F. Liu, S. Duan, F. Liu, B. Liu and Y. Kang, "A Variable Step Size INC MPPT," *IEEE Transactions On Industrial Electronics*, VOL. 55, NO. 7, 2008.
- [10] H. G.-J. G. Kazmi Syed Muhammad Raza, "An Improved and Very Efficient

MPPT Controller for PV Systems subjected to Rapidly Varying Atmospheric Conditions and Partial Shading," 2009.

- [11] M. a. a. Miyatake, "Maximum Power Point Tracking of Multiple Photovoltaic Arrays: A PSO Approach," 2011.
- [12] N. Boutasseta, "PSO-PI based Control of Photovoltaic Arrays," vol. 48, no. No.17, 2012.
- [13] F. Buseti, "Simulated annealing overview," [Online]. Available: <http://www.google.com/url?sa=t&rct=j&q=&esrc=s&source=web&cd=4&cad=rja&ved=0CE0QFjAD&url=http%3A%2F%2F163.18.62.64%2Fwisdom%2F%2Fsimulated%2520annealing%2520overview.pdf&ei=AFnHUICjCoGJrAfq04DAAw&usg=AFQjCNGpggDTaxOCH20Cpi4XoPHHx0vxOw&sig2=0xxX0dgm8IKd790om6>. [Accessed November 2012].
- [15] "Global Optimization of toolbox," [Online]. Available: <http://www.mathworks.com/products/global-optimization/description7.html>. [Accessed December 2012].
- [16] *Archived data for Abilene, Texas*, 2003.
- [17] *NASA Climatology Resource for Agroclimatology*.
- [18] L. Cristaldi, M. Faifer, M. Rossi and S. Toscani, "MPPT Definition and Validation: A New Model-Based Approach," in *Instrumentation and Measurement Technology Conference (I2MTC), 2012 IEEE International*, 2012.
- [19] R. G. A. U. P. A. Rajasekar S, "Modified Hill-top Algorithm Based Maximum," in *Industrial Electronics (ISIE), IEEE International Symposium*, 2012.
- [20] A. McCrone, "Global Trends in Renewable Energy Investment 2012," 2012.
- [21] M. B. a. A. G. B. Amrouche, "Artificial intelligence based P&O MPPT,"

Revue des Energies Renouvelables, 2007.

Appendices:

Appendix A:

No.	Description /weeks	1	2	3	4	5	6	7	8	9	10	11	12	13	14	1	2	3	4	5	6	7	8	9	10	11	12	13	14	15	
1	Selection of Project topic	■	■																											B	
2	Literture Review		■	■	■	■	■																								R
3	Extended Proposal					★																									E
4	Algorithm Development							■	■	■	■	■	■	■	■																A
5	Proposal defense presentation								★																						K
6	Interim report draft												★																		
7	Interim report final draft													★																	
8	Coding/Implementation															■	■	■	■	■	■	■	■	■	■	■	■	■	■	■	
9	Progress report																							★							
9	Analysis																						■	■	■	■	■	■	■	■	
10	Algorithm enhancement																									■	■	■	■	■	
11	Pre-EDX																									★					
12	Documentation / Final report draft																									■	■	■	■	■	
13	Final report																											★			
14	Viva																												★		

■	to be competed
■	completed
★	suggested milestone

Appendix B:

Sample data from NASA climatology Resource for Agro climatology Daily averaged
Data (Evaluation Version) extracted for Kuala lumpur in 2012 .

INSI	WTHLAT	WTHLONG	WELEV	TAV	AMP	REFHT	WNDHT				
NASA	3.133	101.000	151				10				
@ WEYR	WEDAY	SRAD	TMAX	TMIN	RAIN	WIND	TDEW	T2M	RH2M		
2012	1	16.5	28.3	26.3	-99	2.2	24.1	27.2	82.7		
2012	2	20.6	30.2	25.1	-99	1.4	23.6	27.7	78.0		
2012	3	17.5	29.4	25.6	-99	1.8	23.9	27.5	80.3		
2012	4	21.0	29.5	25.1	-99	2.8	23.4	27.2	79.1		
2012	5	21.1	29.9	24.3	-99	2.1	22.6	27.3	75.3		
2012	6	20.4	29.3	25.1	-99	2.2	23.3	27.3	78.4		
2012	7	22.1	29.9	24.3	-99	2.7	22.5	27.1	75.8		
2012	8	15.5	29.3	25.6	-99	2.0	23.2	27.2	78.6		
2012	9	13.1	28.1	24.5	-99	1.9	23.0	26.4	81.3		
2012	10	14.8	28.9	25.5	-99	2.0	23.7	27.3	80.6		
2012	11	13.3	28.5	25.4	-99	2.1	23.8	27.1	81.8		
2012	12	7.6	28.0	25.6	-99	2.4	23.8	26.9	82.9		
2012	13	12.3	28.9	26.5	-99	1.9	24.1	27.5	81.5		
2012	14	-99	28.3	26.4	-99	1.7	24.0	27.4	81.5		
2012	15	15.9	28.6	25.9	-99	2.6	23.8	27.2	81.5		
2012	16	20.6	29.6	27.1	-99	2.0	23.9	28.3	76.7		
2012	17	20.8	28.5	26.1	-99	2.9	24.2	27.3	82.9		
2012	18	15.3	28.2	26.1	-99	2.4	24.3	27.2	84.1		
2012	19	18.6	29.2	26.3	-99	1.3	23.8	27.7	79.0		
2012	20	18.1	28.2	26.5	-99	2.5	23.9	27.3	81.5		
2012	21	18.5	28.4	26.2	-99	3.4	23.9	27.1	82.8		
2012	22	18.6	27.9	26.2	-99	2.8	24.1	26.9	84.4		
2012	23	18.4	28.6	26.2	-99	2.5	23.8	27.1	82.2		
2012	24	22.6	29.3	26.0	-99	2.2	23.9	27.7	79.7		
2012	25	20.9	30.6	26.2	-99	2.1	23.5	28.3	74.7		
2012	26	20.7	29.7	24.6	-99	2.6	22.7	27.5	74.7		
2012	27	18.5	30.4	24.5	-99	2.4	23.2	27.5	77.2		
2012	28	13.4	28.4	25.5	-99	1.6	23.8	26.9	82.5		
2012	29	16.7	28.7	26.0	-99	1.4	23.6	27.5	79.1		
2012	30	-99	29.1	26.2	-99	1.8	24.1	27.7	80.4		
2012	31	13.9	29.1	27.0	-99	1.3	24.3	27.8	81.0		
2012	32	19.7	29.3	25.6	-99	2.5	23.8	27.2	81.8		
2012	33	19.5	28.4	24.8	-99	2.5	23.6	26.6	83.6		
2012	34	15.4	27.4	25.4	-99	2.2	23.5	26.4	83.8		
2012	35	17.2	28.6	24.7	-99	2.2	23.4	26.5	82.8		
2012	36	22.4	30.1	25.1	-99	2.0	23.4	27.6	77.7		
2012	37	21.4	28.8	26.8	-99	2.5	24.3	27.7	81.7		
2012	38	19.1	28.6	26.7	-99	2.6	24.7	27.6	84.2		
2012	39	23.5	29.1	26.6	-99	2.4	24.8	27.9	83.0		
2012	40	24.2	30.3	24.6	-99	2.3	23.0	27.7	75.1		
2012	41	23.6	30.3	24.4	-99	2.4	22.8	27.4	75.6		
2012	42	22.2	30.0	24.8	-99	2.6	23.5	27.4	79.0		
2012	43	20.9	29.4	25.4	-99	2.0	24.1	27.4	81.7		
2012	44	19.1	29.3	25.1	-99	2.2	24.1	27.3	82.4		
2012	45	20.9	29.3	25.9	-99	1.7	24.3	27.7	81.6		
2012	46	-99	28.4	26.9	-99	2.1	24.7	27.5	84.6		
2012	47	14.1	29.5	27.1	-99	2.2	24.2	28.1	79.3		
2012	48	19.3	29.3	26.9	-99	1.3	23.9	28.0	77.7		
2012	49	14.4	28.8	26.3	-99	2.1	24.1	27.3	82.2		
2012	50	16.8	28.2	26.0	-99	2.1	24.1	27.1	83.2		
2012	51	18.5	28.6	26.6	-99	2.0	24.4	27.5	83.0		

2012	52	16.2	29.1	27.3	-99	1.4	24.1	28.2	78.3
2012	53	22.4	29.9	26.3	-99	1.6	24.3	28.3	78.5
2012	54	19.5	29.3	26.3	-99	1.5	24.6	28.2	80.6
2012	55	19.7	29.4	26.6	-99	1.8	24.9	28.0	82.7
2012	56	21.4	30.2	25.9	-99	1.4	24.4	28.0	80.2
2012	57	17.7	30.0	27.4	-99	1.1	24.4	28.5	78.2
2012	58	18.9	28.9	27.0	-99	1.7	24.6	28.0	81.7
2012	59	-99	28.7	27.0	-99	1.2	24.8	27.9	83.1
2012	60	16.3	28.1	26.6	-99	2.8	24.8	27.1	86.9
2012	61	19.9	29.1	26.3	-99	2.4	24.4	27.4	83.5
2012	62	-99	28.2	26.6	-99	1.6	24.8	27.4	85.4
2012	63	16.9	29.1	26.6	-99	1.2	24.0	27.7	79.8
2012	64	22.7	28.8	27.0	-99	1.7	24.0	27.8	79.4
2012	65	13.8	29.3	26.8	-99	2.1	24.2	27.9	80.2
2012	66	17.4	29.7	26.9	-99	2.7	24.2	28.0	79.3
2012	67	20.8	28.3	26.4	-99	2.4	24.3	27.1	84.3
2012	68	12.0	27.5	25.8	-99	2.3	23.7	26.6	83.8
2012	69	21.2	28.6	26.1	-99	3.1	24.1	27.1	83.6
2012	70	17.2	29.4	26.2	-99	2.2	24.1	27.8	79.8
2012	71	18.3	29.3	27.4	-99	1.6	24.4	28.3	78.9
2012	72	5.8	28.4	26.4	-99	2.0	24.4	27.3	84.0
2012	73	16.1	29.6	27.1	-99	1.4	24.4	28.0	80.7
2012	74	9.3	30.5	26.9	-99	1.4	24.0	28.4	76.6
2012	75	20.1	29.3	27.5	-99	2.1	24.4	28.3	79.3
2012	76	23.8	30.4	26.3	-99	2.1	24.6	28.4	79.4
2012	77	19.2	29.1	27.7	-99	2.2	25.2	28.3	82.7
2012	78	-99	29.1	27.0	-99	2.4	25.2	28.1	84.2
2012	79	17.5	29.5	27.9	-99	2.5	25.0	28.5	81.0
2012	80	20.2	29.2	27.6	-99	2.4	24.8	28.3	81.2
2012	81	21.2	29.3	27.2	-99	2.8	24.7	28.1	81.7
2012	82	22.3	29.9	27.4	-99	2.8	24.6	28.6	78.9
2012	83	19.5	30.2	26.9	-99	3.0	24.2	28.4	77.6
2012	84	21.1	30.3	27.0	-99	1.6	24.4	28.7	77.0
2012	85	18.9	29.5	27.5	-99	1.6	24.8	28.5	80.4
2012	86	15.0	29.1	26.7	-99	1.6	24.8	28.2	81.4
2012	87	18.8	29.3	27.8	-99	1.5	24.8	28.3	81.0
2012	88	11.1	30.1	27.7	-99	1.2	24.4	28.6	77.7
2012	89	20.5	29.2	27.7	-99	2.0	24.5	28.3	79.2
2012	90	18.9	28.5	26.9	-99	3.5	24.2	27.7	81.0
2012	91	12.6	28.2	26.7	-99	3.1	24.2	27.4	82.7
2012	92	21.9	28.6	27.1	-99	2.5	24.7	27.8	83.0
2012	93	17.7	29.7	27.4	-99	1.8	24.4	28.4	78.6
2012	94	-99	30.3	27.8	-99	1.8	24.3	29.0	75.5
2012	95	21.1	30.2	27.5	-99	2.4	24.0	28.5	76.3
2012	96	21.8	29.6	28.0	-99	2.0	24.5	28.7	77.7
2012	97	18.8	29.2	27.8	-99	1.6	24.9	28.5	80.9
2012	98	20.8	29.2	27.9	-99	1.4	25.1	28.6	81.0
2012	99	16.5	29.0	27.7	-99	1.5	24.9	28.4	81.0
2012	100	21.8	29.3	27.2	-99	1.7	24.6	28.1	81.2
2012	101	20.4	29.1	27.3	-99	1.6	24.9	28.1	82.9
2012	102	19.3	30.1	28.2	-99	1.5	24.6	28.9	77.6
2012	103	19.1	29.8	28.3	-99	1.4	24.8	28.9	78.4
2012	104	21.3	29.8	29.0	-99	1.4	24.8	29.3	76.3
2012	105	11.9	30.3	28.0	-99	1.1	25.2	28.9	80.1
2012	106	18.8	29.3	27.9	-99	1.3	24.9	28.5	80.7
2012	107	18.3	29.9	27.9	-99	1.6	25.2	28.7	80.9
2012	108	19.7	29.5	27.1	-99	1.9	24.7	28.0	81.9
2012	109	16.1	29.4	27.6	-99	1.9	25.0	28.5	81.1
2012	110	-99	29.0	27.7	-99	1.7	25.1	28.2	82.9
2012	111	20.8	29.4	27.9	-99	1.9	25.0	28.5	81.1
2012	112	18.3	29.8	27.2	-99	3.1	24.4	28.4	78.9

2012	113	22.0	30.2	28.0	-99	1.4	24.7	28.9	77.5
2012	114	21.9	30.3	28.5	-99	1.3	25.1	29.2	78.0
2012	115	16.7	29.4	27.7	-99	2.4	25.0	28.4	81.6
2012	116	19.3	29.9	27.9	-99	2.2	24.8	28.8	78.5
2012	117	22.2	29.6	27.7	-99	2.6	24.9	28.4	81.1
2012	118	22.5	30.0	27.8	-99	2.1	24.7	28.8	78.3
2012	119	19.4	29.7	28.0	-99	1.7	24.9	28.7	79.6
2012	120	21.3	29.0	27.6	-99	2.5	25.1	28.1	83.8
2012	121	20.7	30.5	26.8	-99	2.2	24.7	28.4	80.4
2012	122	19.7	29.8	28.2	-99	1.3	25.3	28.9	80.5
2012	123	16.7	29.0	27.5	-99	2.1	25.3	28.1	84.6
2012	124	21.5	29.4	27.7	-99	2.0	24.8	28.4	81.0
2012	125	21.7	29.8	27.2	-99	2.1	24.8	28.4	80.4
2012	126	-99	29.7	27.4	-99	1.7	25.1	28.4	81.9
2012	127	9.5	29.3	27.4	-99	1.3	25.0	28.3	81.8
2012	128	16.8	30.3	27.9	-99	1.3	24.3	28.7	76.8
2012	129	21.4	30.1	28.4	-99	1.1	24.9	29.2	77.0
2012	130	21.3	31.1	28.4	-99	1.1	24.6	29.7	73.6
2012	131	17.1	30.2	28.4	-99	1.5	25.0	29.3	77.6
2012	132	10.0	29.0	27.6	-99	2.2	25.2	28.3	83.4
2012	133	21.3	29.4	27.7	-99	2.5	25.1	28.3	82.5
2012	134	21.1	29.5	27.1	-99	2.9	24.8	28.2	81.6
2012	135	17.7	29.7	27.5	-99	1.9	25.3	28.6	82.0
2012	136	15.6	29.7	27.7	-99	2.5	25.2	28.4	82.4
2012	137	20.8	29.6	27.3	-99	2.4	25.1	28.4	82.1
2012	138	14.3	29.8	27.3	-99	2.2	25.1	28.4	81.8
2012	139	20.5	29.8	28.0	-99	1.9	25.5	28.9	81.6
2012	140	20.9	30.3	27.1	-99	2.6	25.2	28.9	80.5
2012	141	11.1	29.4	27.2	-99	1.9	25.5	28.5	83.5
2012	142	-99	29.9	27.9	-99	1.9	25.2	28.7	81.3
2012	143	15.6	29.2	28.2	-99	1.6	25.4	28.6	82.2
2012	144	17.8	28.7	27.5	-99	1.9	25.1	28.0	84.3
2012	145	18.7	30.0	27.2	-99	1.7	24.9	28.6	79.9
2012	146	14.7	29.2	27.9	-99	1.4	25.0	28.6	80.6
2012	147	20.6	30.2	27.9	-99	2.3	25.1	28.8	80.1
2012	148	18.3	30.1	27.8	-99	1.9	25.0	28.7	80.2
2012	149	21.0	29.7	27.5	-99	2.0	25.0	28.5	81.1
2012	150	16.4	29.3	27.8	-99	1.7	25.2	28.4	82.2
2012	151	17.4	29.0	27.5	-99	1.9	25.5	28.1	85.6
2012	152	19.3	31.1	28.1	-99	1.4	25.3	28.9	80.4
2012	153	18.5	30.0	28.1	-99	1.4	24.8	28.9	78.2
2012	154	21.3	30.0	27.7	-99	1.8	25.1	28.9	79.7
2012	155	20.3	30.1	27.8	-99	1.6	25.3	29.0	80.1
2012	156	20.6	29.7	28.4	-99	1.6	25.6	29.1	80.9
2012	157	20.8	29.6	28.3	-99	1.9	25.4	28.8	81.5
2012	158	-99	29.2	27.7	-99	2.4	24.7	28.4	80.0
2012	159	15.3	29.4	27.6	-99	2.4	24.4	28.6	77.7
2012	160	13.5	28.9	27.5	-99	2.5	25.1	28.1	83.6
2012	161	14.0	29.1	26.7	-99	3.5	24.3	27.8	81.1
2012	162	18.6	30.0	26.8	-99	2.9	24.2	28.4	77.9
2012	163	19.7	30.1	27.5	-99	2.5	24.5	28.8	77.3
2012	164	21.0	29.9	27.1	-99	3.1	25.0	28.5	80.9
2012	165	21.9	30.1	27.3	-99	2.8	24.9	28.8	79.3
2012	166	18.8	30.1	28.5	-99	1.7	24.9	29.3	76.8
2012	167	19.9	30.6	28.7	-99	1.5	24.9	29.4	76.2
2012	168	18.9	29.8	28.2	-99	2.1	25.0	29.0	78.8
2012	169	18.3	29.2	27.7	-99	3.0	24.9	28.5	80.5
2012	170	19.2	29.9	26.6	-99	2.7	25.1	28.5	81.5
2012	171	18.3	30.0	27.5	-99	2.1	25.1	28.6	81.1
2012	172	19.4	29.5	27.0	-99	3.0	25.0	28.2	82.2
2012	173	14.1	29.4	27.0	-99	3.4	24.9	28.0	83.4

2012	174	-99	30.9	26.2	-99	2.1	24.6	28.3	79.9
2012	175	16.3	29.7	27.5	-99	2.1	25.1	28.6	81.2
2012	176	21.1	30.1	27.4	-99	2.0	24.8	28.8	78.7
2012	177	18.4	29.5	28.0	-99	1.9	24.8	28.7	79.0
2012	178	11.4	29.6	27.2	-99	1.4	24.8	28.5	79.8
2012	179	15.6	29.2	27.8	-99	1.4	24.4	28.5	78.0
2012	180	20.8	28.9	27.3	-99	1.7	24.5	27.9	81.5
2012	181	19.2	29.5	27.2	-99	2.2	24.9	28.3	81.6
2012	182	15.6	28.9	27.2	-99	2.5	25.0	27.9	83.7
2012	183	19.7	28.7	26.6	-99	3.0	24.8	27.5	85.1
2012	184	19.8	29.0	26.7	-99	2.6	24.6	27.8	82.5
2012	185	20.6	29.6	27.0	-99	1.8	24.3	28.1	79.5
2012	186	15.0	29.2	27.1	-99	1.7	24.3	27.9	80.6
2012	187	20.6	29.3	26.6	-99	1.7	24.3	27.8	81.0
2012	188	17.9	28.8	26.9	-99	2.2	24.1	27.9	79.4
2012	189	19.2	28.2	26.6	-99	2.0	24.4	27.4	83.7
2012	190	-99	28.6	26.5	-99	2.5	24.1	27.4	81.6
2012	191	15.8	28.6	26.8	-99	1.8	24.3	27.7	81.5
2012	192	22.4	29.0	26.2	-99	1.9	24.3	27.6	81.7
2012	193	11.8	28.4	26.5	-99	2.1	24.4	27.5	82.8
2012	194	22.1	28.7	27.1	-99	3.0	24.4	27.7	82.2
2012	195	22.4	28.6	26.6	-99	3.5	24.5	27.5	83.5
2012	196	17.6	29.2	26.6	-99	3.0	24.2	27.8	80.4
2012	197	15.7	29.7	26.0	-99	2.9	24.0	27.8	79.5
2012	198	15.7	28.8	26.4	-99	2.1	24.5	27.6	83.1
2012	199	11.6	27.9	26.6	-99	2.2	24.4	27.1	84.7
2012	200	16.9	28.6	26.7	-99	1.3	24.5	27.6	83.3
2012	201	15.2	28.4	26.9	-99	1.3	24.3	27.8	81.0
2012	202	21.2	28.9	27.2	-99	1.9	24.4	27.8	81.4
2012	203	16.7	29.0	26.8	-99	2.5	24.7	27.9	82.9
2012	204	17.8	28.6	27.2	-99	2.3	24.9	27.9	83.6
2012	205	12.6	28.6	26.9	-99	2.1	24.6	27.8	82.5
2012	206	-99	29.0	26.7	-99	2.9	24.1	27.9	79.7
2012	207	21.2	30.3	26.3	-99	3.8	23.7	28.0	77.0
2012	208	22.1	29.5	26.5	-99	3.5	24.5	28.0	81.2
2012	209	22.6	29.6	26.5	-99	3.6	24.9	28.1	82.8
2012	210	22.8	29.6	26.5	-99	3.1	24.4	28.0	80.2
2012	211	19.9	29.4	27.0	-99	2.5	24.2	28.2	78.8
2012	212	18.1	29.4	27.1	-99	2.2	24.4	28.3	79.1
2012	213	17.3	28.9	27.3	-99	2.0	24.8	28.1	82.2
2012	214	22.8	29.4	27.2	-99	2.2	24.3	28.3	78.3
2012	215	15.3	29.0	27.2	-99	2.6	24.6	28.2	80.3
2012	216	19.8	28.6	27.4	-99	2.2	24.7	28.0	81.7
2012	217	17.5	28.7	26.7	-99	2.1	24.8	27.6	84.4
2012	218	12.1	28.5	27.2	-99	2.0	24.9	27.7	84.5
2012	219	11.4	28.4	27.1	-99	2.2	24.5	27.8	82.1
2012	220	22.5	29.4	26.9	-99	1.8	24.5	28.4	79.2
2012	221	22.2	29.9	28.2	-99	1.9	24.4	28.9	76.0
2012	222	-99	30.5	26.5	-99	3.8	23.9	28.3	76.8
2012	223	24.4	30.8	26.4	-99	3.3	23.9	28.5	75.8
2012	224	23.7	30.1	26.5	-99	2.8	24.3	28.3	78.4
2012	225	19.9	29.7	26.4	-99	3.2	24.6	28.0	81.7
2012	226	23.3	29.7	26.4	-99	2.3	24.8	28.2	81.4
2012	227	24.1	30.0	28.2	-99	1.7	24.7	29.0	77.1
2012	228	17.6	29.5	28.4	-99	1.4	25.0	28.9	79.4
2012	229	17.4	28.9	27.9	-99	1.4	25.0	28.4	81.5
2012	230	23.4	30.4	27.9	-99	1.4	24.1	28.9	74.9
2012	231	20.9	29.4	27.2	-99	2.6	24.3	28.3	78.8
2012	232	21.7	29.3	27.2	-99	2.8	25.1	28.1	83.2
2012	233	13.3	29.4	26.9	-99	2.3	24.6	28.1	81.2
2012	234	15.8	28.5	27.4	-99	1.9	24.5	27.9	81.6

2012	235	18.6	28.7	27.1	-99	2.0	24.5	27.9	81.3
2012	236	21.2	28.2	26.3	-99	3.6	24.2	27.2	83.5
2012	237	22.4	30.0	27.8	-99	1.4	24.3	28.8	76.5
2012	238	-99	29.4	27.4	-99	1.4	24.3	28.4	78.4
2012	239	21.0	29.4	28.3	-99	1.4	24.6	28.8	78.1
2012	240	20.3	28.9	27.5	-99	1.7	24.5	28.0	80.7
2012	241	17.3	28.1	26.9	-99	1.9	24.3	27.4	83.1
2012	242	20.3	28.5	27.3	-99	2.0	24.7	27.8	83.3
2012	243	23.1	28.9	26.6	-99	2.7	24.6	27.6	83.5
2012	244	15.0	29.6	26.4	-99	2.7	24.3	27.9	80.9
2012	245	19.8	29.5	26.9	-99	2.7	24.8	28.2	81.4
2012	246	20.3	29.6	26.7	-99	2.4	25.0	28.3	82.2
2012	247	15.3	29.9	28.3	-99	1.3	25.2	29.0	79.6
2012	248	12.3	29.9	27.8	-99	1.9	25.3	28.5	82.3
2012	249	16.3	28.3	26.5	-99	2.8	24.4	27.4	84.0
2012	250	17.3	29.8	26.7	-99	1.5	24.2	28.2	78.6
2012	251	19.8	30.1	27.8	-99	2.3	24.4	28.8	76.9
2012	252	12.5	29.0	26.5	-99	2.3	24.6	27.7	83.0
2012	253	19.9	29.0	27.0	-99	1.6	24.5	28.1	80.4
2012	254	-99	29.4	28.1	-99	1.7	24.4	28.5	77.8
2012	255	17.2	29.0	27.6	-99	2.1	24.6	28.2	80.5
2012	256	17.9	28.1	27.0	-99	2.2	24.4	27.5	83.3
2012	257	20.8	29.0	27.1	-99	2.4	24.0	27.9	79.0
2012	258	18.0	29.1	27.2	-99	1.5	24.0	28.2	77.7
2012	259	20.4	29.8	28.2	-99	1.7	24.0	28.8	74.9
2012	260	15.0	28.7	26.8	-99	2.2	24.6	27.8	82.8
2012	261	20.6	29.3	27.1	-99	2.4	24.7	28.2	81.1
2012	262	20.3	29.1	26.8	-99	2.1	24.8	28.1	82.0
2012	263	18.9	29.0	27.8	-99	1.7	24.7	28.4	80.4
2012	264	17.0	30.1	27.2	-99	1.9	24.2	28.3	78.2
2012	265	20.4	29.2	26.6	-99	1.9	24.2	27.9	80.3
2012	266	19.4	30.0	26.7	-99	1.7	23.9	28.1	77.5
2012	267	18.6	29.7	27.2	-99	2.2	24.2	28.2	79.0
2012	268	21.8	28.9	26.7	-99	2.9	24.4	27.6	82.1
2012	269	20.3	29.0	26.2	-99	2.5	24.2	27.7	81.0
2012	270	-99	28.1	26.9	-99	2.0	24.2	27.4	82.2
2012	271	18.5	29.2	26.7	-99	1.7	24.2	28.0	79.6
2012	272	13.1	28.9	26.8	-99	1.4	24.5	27.7	82.3
2012	273	15.8	29.6	27.8	-99	1.4	24.2	28.6	76.7
2012	274	18.6	31.0	28.5	-99	1.1	23.8	29.5	70.8
2012	275	14.5	29.5	27.8	-99	1.6	24.4	28.6	78.0
2012	276	19.9	31.2	27.4	-99	1.9	24.1	28.8	75.3
2012	277	21.5	30.5	27.8	-99	2.4	24.4	28.7	77.0
2012	278	16.6	29.6	26.7	-99	3.4	24.2	27.9	79.8
2012	279	16.5	29.2	26.1	-99	3.4	23.6	27.4	79.5
2012	280	22.5	29.1	26.9	-99	2.8	24.3	27.8	80.9
2012	281	18.8	28.8	26.9	-99	3.0	24.0	27.8	79.9
2012	282	16.1	29.5	26.2	-99	2.3	23.8	27.9	78.1
2012	283	20.0	29.7	27.3	-99	1.6	24.3	28.4	78.4
2012	284	18.1	29.5	28.1	-99	1.6	24.4	28.6	77.6
2012	285	17.5	29.0	27.7	-99	1.6	24.4	28.3	79.1
2012	286	-99	28.6	27.1	-99	2.0	24.8	27.8	83.4
2012	287	5.9	28.9	26.9	-99	1.7	24.3	27.8	81.0
2012	288	19.0	29.0	27.4	-99	1.5	24.4	28.0	80.5
2012	289	18.7	29.6	27.5	-99	1.3	24.2	28.4	77.7
2012	290	17.8	29.2	27.5	-99	1.6	24.4	28.2	79.1
2012	291	20.1	28.6	27.1	-99	1.7	24.3	27.7	81.6
2012	292	16.8	28.3	27.2	-99	1.6	24.5	27.7	82.7
2012	293	14.3	28.9	27.4	-99	1.3	24.3	28.1	80.0
2012	294	19.1	29.4	26.4	-99	1.2	24.2	27.9	80.2
2012	295	14.9	28.8	27.1	-99	1.4	24.4	27.8	81.6

2012	296	10.7	28.6	27.4	-99	1.0	24.2	28.0	79.8
2012	297	19.5	29.3	27.6	-99	1.7	24.3	28.3	78.5
2012	298	21.3	30.6	27.3	-99	1.3	24.3	28.8	76.2
2012	299	18.1	30.1	28.1	-99	1.3	24.2	29.1	74.7
2012	300	19.5	29.6	27.1	-99	1.4	24.6	28.3	79.9
2012	301	20.3	30.6	27.6	-99	1.2	24.5	28.8	77.5
2012	302	-99	31.6	26.8	-99	1.4	24.1	29.2	73.6
2012	303	19.2	30.4	27.4	-99	1.4	24.5	29.1	75.7
2012	304	17.3	29.3	27.7	-99	1.4	24.7	28.6	78.9
2012	305	15.1	28.7	27.5	-99	1.1	24.6	28.1	81.1
2012	306	11.5	28.4	27.0	-99	1.4	24.7	27.5	84.2
2012	307	18.2	28.6	27.2	-99	1.3	24.7	27.7	83.1
2012	308	15.9	27.9	26.5	-99	2.8	24.5	27.1	85.5
2012	309	10.2	27.5	26.3	-99	2.9	24.1	26.7	85.5
2012	310	13.5	27.8	26.1	-99	3.0	23.8	26.8	83.5
2012	311	20.1	29.6	27.2	-99	1.3	24.0	28.2	77.6
2012	312	19.6	30.2	27.1	-99	1.4	24.3	28.5	77.8
2012	313	17.8	28.8	27.5	-99	1.4	24.7	28.1	81.6
2012	314	16.8	28.6	27.3	-99	1.5	24.8	27.9	83.0
2012	315	17.1	28.2	26.9	-99	2.1	24.6	27.4	84.2
2012	316	12.0	28.4	27.0	-99	1.6	24.6	27.5	83.7
2012	317	16.1	28.5	27.0	-99	1.9	24.5	27.6	83.2
2012	318	-99	28.7	27.3	-99	1.7	24.6	27.9	82.1
2012	319	19.0	29.2	27.2	-99	1.6	24.6	28.1	81.0
2012	320	19.6	29.4	27.4	-99	2.3	24.7	28.4	80.2
2012	321	20.4	30.4	27.8	-99	2.2	24.8	28.9	78.1
2012	322	10.9	28.8	27.4	-99	3.0	25.3	28.0	85.2
2012	323	17.0	29.2	27.0	-99	2.1	24.7	28.1	81.8
2012	324	12.7	28.4	27.5	-99	1.9	24.5	27.9	81.8
2012	325	19.7	28.6	27.1	-99	1.7	24.2	27.9	79.7
2012	326	18.9	28.6	26.7	-99	3.0	24.4	27.6	82.3
2012	327	14.7	28.8	26.9	-99	2.6	24.7	27.8	83.0
2012	328	12.6	29.1	26.7	-99	2.7	24.5	27.6	83.2
2012	329	19.8	27.5	26.2	-99	3.3	24.4	26.8	86.8
2012	330	18.6	28.6	26.3	-99	3.1	24.3	27.2	83.8
2012	331	14.7	27.9	26.6	-99	2.8	24.5	27.2	85.5
2012	332	19.3	28.0	26.6	-99	1.8	24.6	27.2	85.3
2012	333	16.8	28.5	27.1	-99	1.2	24.5	27.9	81.8
2012	334	-99	28.5	26.7	-99	2.4	24.6	27.5	83.7
2012	335	17.0	28.5	26.8	-99	2.6	24.9	27.5	85.3
2012	336	16.6	28.3	26.7	-99	2.8	24.6	27.3	85.1
2012	337	17.5	29.3	27.2	-99	1.6	24.4	28.1	79.9
2012	338	16.6	28.5	26.6	-99	1.5	24.5	27.5	83.8
2012	339	19.3	29.3	26.9	-99	1.7	24.3	27.9	80.4
2012	340	14.1	28.9	25.6	-99	2.6	23.8	27.2	81.8
2012	341	19.9	29.2	26.3	-99	1.4	24.2	28.0	79.3
2012	342	19.1	29.4	26.8	-99	1.4	24.5	28.2	79.7
2012	343	20.7	29.6	27.7	-99	1.3	24.4	28.5	78.3
2012	344	17.6	28.5	26.9	-99	1.7	24.8	27.6	84.6
2012	345	15.4	28.7	26.7	-99	1.5	24.3	27.6	81.8
2012	346	14.8	28.7	27.0	-99	1.1	23.8	27.8	78.9
2012	347	17.8	28.0	26.2	-99	2.6	24.1	27.1	83.4
2012	348	18.2	28.6	26.7	-99	1.2	24.2	27.7	81.0
2012	349	-99	29.0	26.9	-99	1.2	24.4	28.1	80.1
2012	350	-99	29.0	27.5	-99	1.3	24.3	28.2	79.2
2012	351	-99	28.3	27.0	-99	1.3	24.2	27.7	81.0
2012	352	-99	28.9	26.5	-99	1.5	24.6	27.7	82.9
2012	353	-99	-99	-99	-99	-99	-99	-99	-99
2012	354	-99	-99	-99	-99	-99	-99	-99	-99
2012	355	-99	-99	-99	-99	-99	-99	-99	-99
2012	356	-99	-99	-99	-99	-99	-99	-99	-99

2012	357	-99	-99	-99	-99	-99	-99	-99	-99
2012	358	-99	-99	-99	-99	-99	-99	-99	-99
2012	359	-99	-99	-99	-99	-99	-99	-99	-99
2012	360	-99	-99	-99	-99	-99	-99	-99	-99
2012	361	-99	-99	-99	-99	-99	-99	-99	-99
2012	362	-99	-99	-99	-99	-99	-99	-99	-99
2012	363	-99	-99	-99	-99	-99	-99	-99	-99
2012	364	-99	-99	-99	-99	-99	-99	-99	-99
2012	365	-99	-99	-99	-99	-99	-99	-99	-99
2012	366	-99	-99	-99	-99	-99	-99	-99	-99

Appendix C:

PSO algorithm codes:

```
function [y1,y2] = fcn(Ipv,Ppv)
%% Initialization

n = 3;           % Size of the swarm " no of birds "
bird_setp = 50; % Maximum number of "birds steps"
dim = 2;        % Dimension of the problem

c2 = 1.2;       % PSO parameter C1
c1 = 0.12;      % PSO parameter C2
w = 0.9;        % pso momentum or inertia

%   initialize the parameter %

R1 = rand(dim, n);
R2 = rand(dim, n);
current_fitness = 0*ones(n,1);

% Initializing swarm and velocities and position %

current_position = 0*(rand(dim, n)-.5);
velocity = 0*randn(dim, n) ;
local_best_position = current_position ;
globl_best_position = local_best_position;

%   Evaluate initial population   %

for i = 1:n
    current_fitness(i) = max (Ppv);
end

local_best_fitness = current_fitness ;
[global_best_fitness,g] = max(local_best_fitness) ;

for i=1:n
    globl_best_position(:,i) = local_best_position(:,g) ;
end

% VELOCITY UPDATE %

velocity = w *velocity + c1*(R1.*(local_best_position-
current_position)) + c2*(R2.*(globl_best_position-
current_position));

%   SWARMUPDATE   %
```

```

current_position = current_position + velocity ;

% evaluate new swarm %

%% Main Loop
iter = 0 ; % Iterationscounter
while ( iter < bird_setp )
iter = iter + 1;

for i = 1:n,
current_fitness(i) = Ppv ;

end

for i = 1 : n
if current_fitness(i) > local_best_fitness(i)
local_best_fitness(i) = current_fitness(i);
local_best_position(:,i) = current_position(:,i) ;
end
end

[current_global_best_fitness,g] = max(local_best_fitness);

if current_global_best_fitness > global_best_fitness
global_best_fitness = current_global_best_fitness;

for i=1:n
globl_best_position(:,i) = local_best_position(:,g);
end

end

velocity = w *velocity + c1*(R1.*(local_best_position-
current_position)) + c2*(R2.*(globl_best_position-
current_position));
current_position = current_position + velocity;

end% end of while loop

[PVmppt,I] = max(current_fitness) % minimum fitness
[PV,I] = min(current_fitness)
current_position(:,I)

y1 = PVmppt;
y2= PV;

```