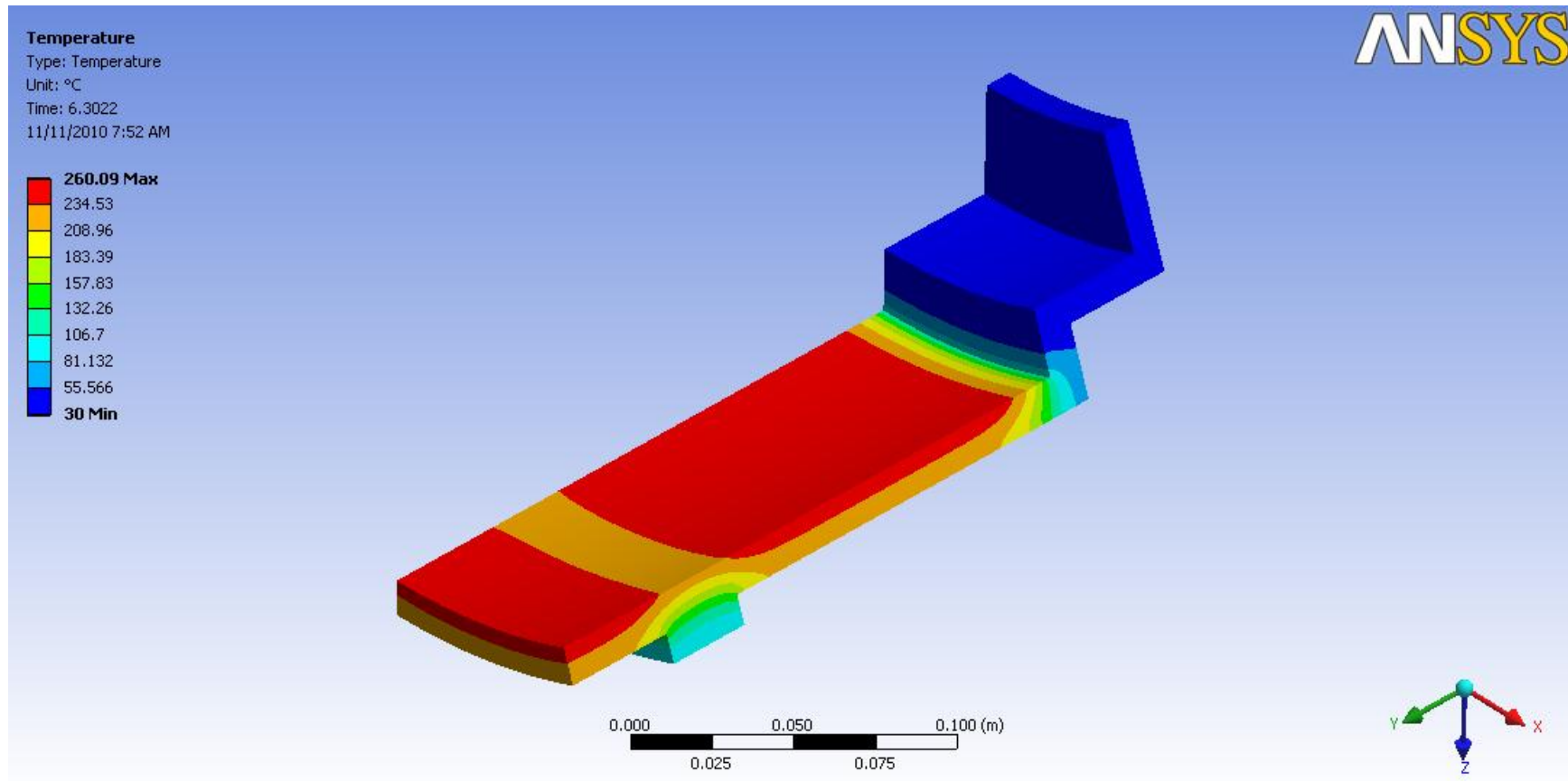
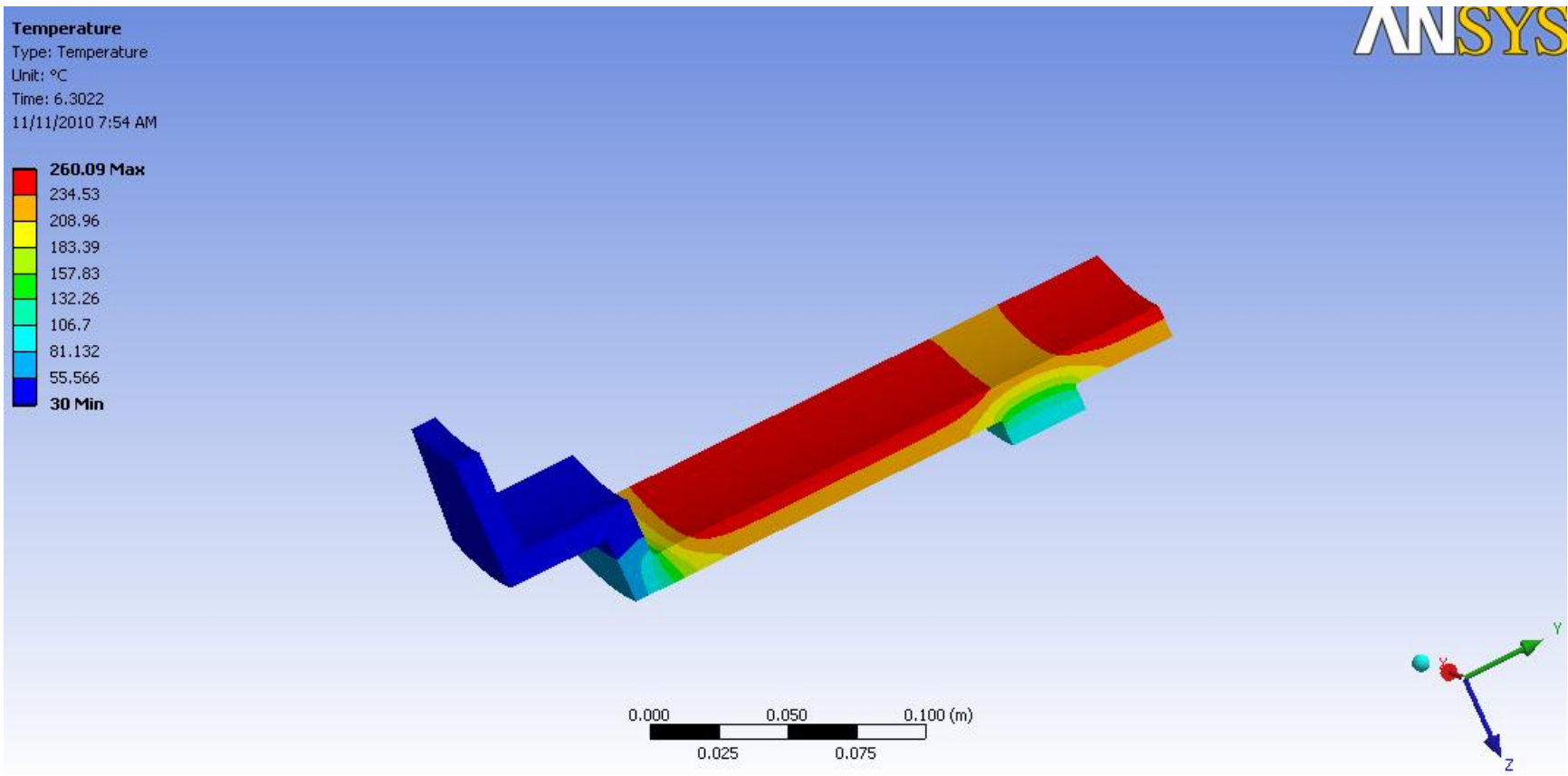


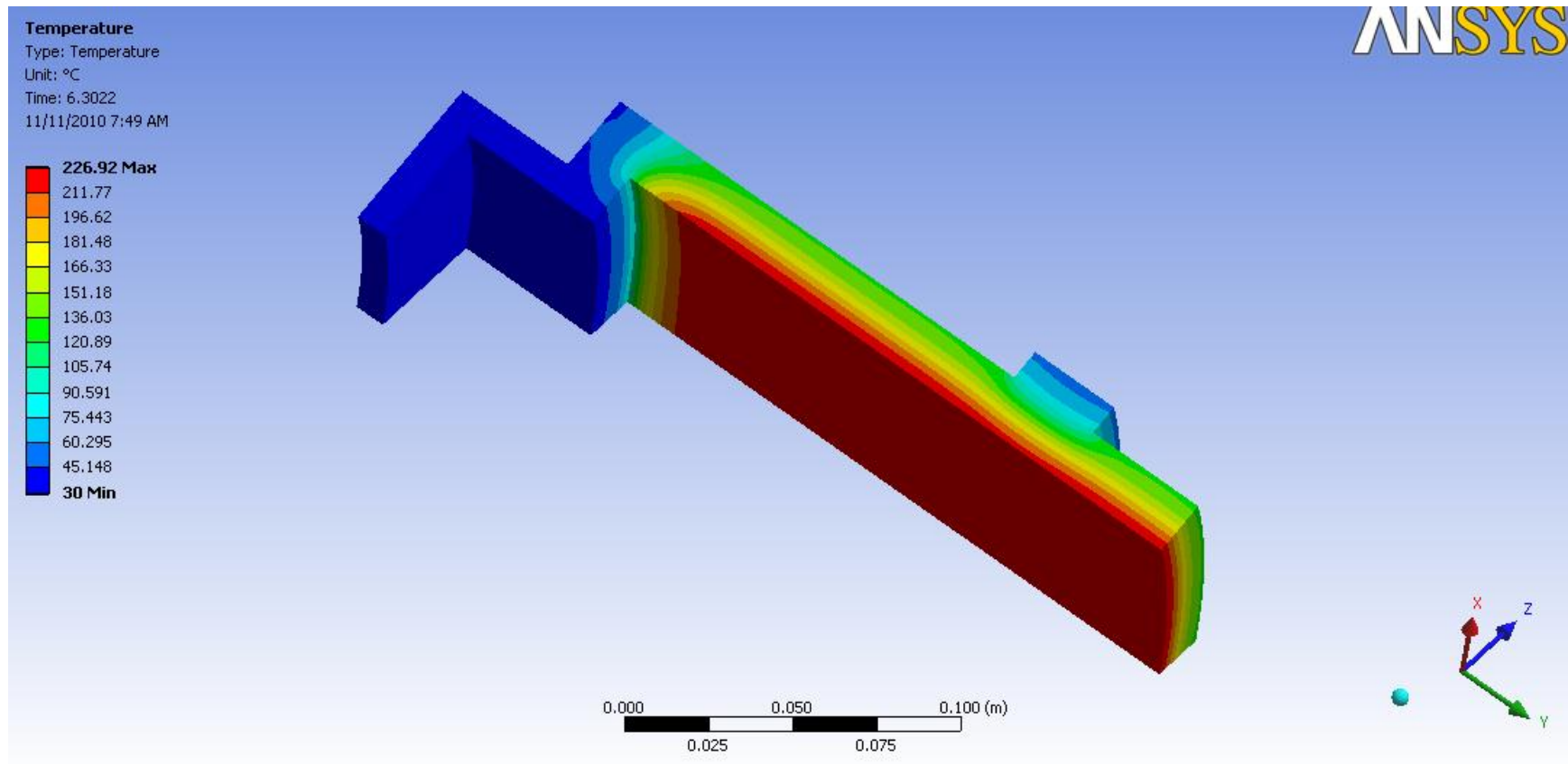
Appendix D : The graphic of the temperature distribution for the whole body of the drum at the end of braking process



The temperature distribution for whole body of the drum with thickness of 12.5 mm



The temperature distribution for whole body of the drum with thickness of 15.0 mm



The temperature distribution for whole body of the drum with thickness of 17.5 mm